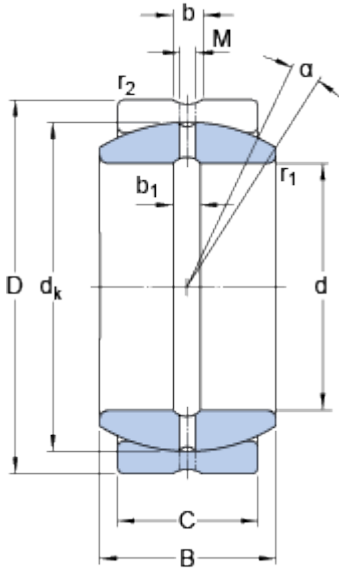


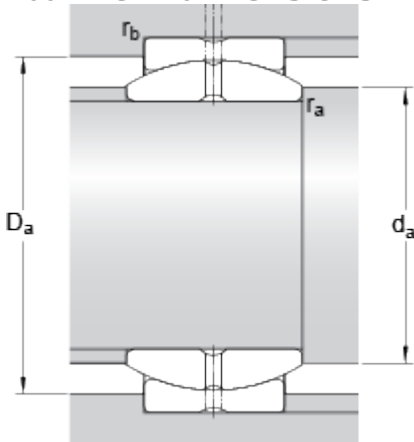
GE 60 ES

Dimensions



d	60	mm
D	90	mm
B	44	mm
C	36	mm
α	6	°
dk	80	mm
b	6.2	mm
b ₁	6.2	mm
M	4	mm
r ₁	min. 1	mm
r ₂	min. 1	mm

Abutment dimensions



d _a	min.	66.4	mm
d _a	max.	66.8	mm
D _a	min.	76	mm
D _a	max.	84.2	mm
r _a	max.	1	mm
r _b	max.	1	mm

Calculation data

Basic dynamic load rating	C	245	kN
Basic static load rating	C	1220	kN
Specific dynamic load factor	K	100	N/mm ²
Specific static load factor	K	500	N/mm ²
Material constant	K _M	330	

Mass

Mass plain bearing		1.1	kg
--------------------	--	-----	----

