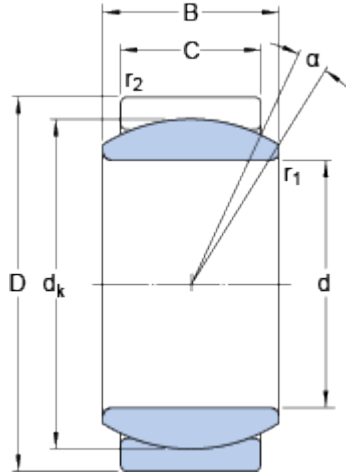


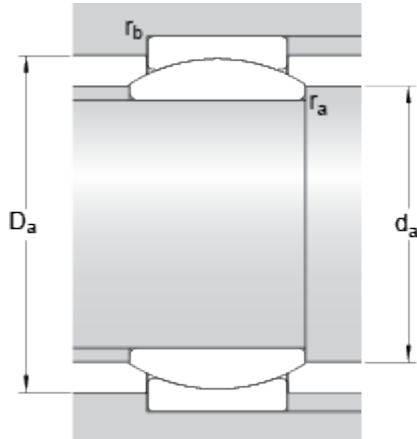
GE 4 E

Dimensions



d	4	mm
D	12	mm
B	5	mm
C	3	mm
α	16	°
d_k	8	mm
r_1	min. 0.3	mm
r_2	min. 0.3	mm

Abutment dimensions



d_a	min. 5.5	mm
d_a	max. 6.2	mm
D_a	min. 7.6	mm
D_a	max. 10.7	mm
r_a	max. 0.3	mm
r_b	max. 0.3	mm

Calculation data

Basic dynamic load rating	C	2.04	kN
Basic static load rating	C	10.2	kN
Specific dynamic load factor	K	100	N/mm ²
Specific static load factor	K	500	N/mm ²
Material constant	K_M	330	

Mass

Mass plain bearing	0.003	kg
--------------------	-------	----