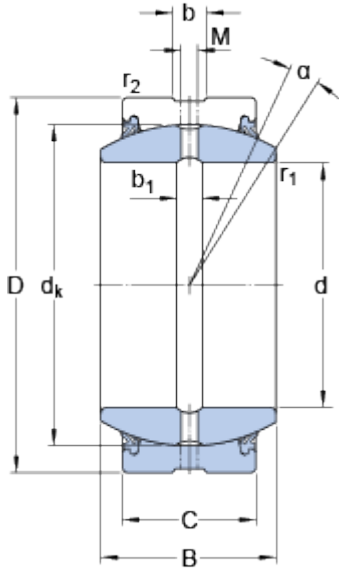


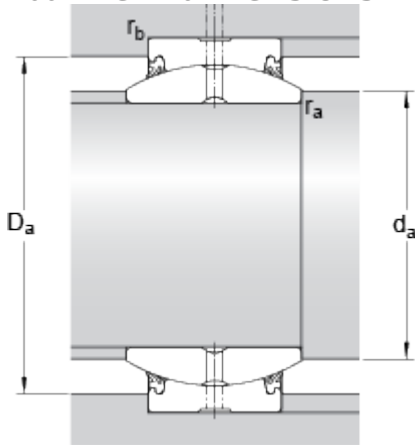
GE 35 ES-2RS

Dimensions



d	35	mm
D	55	mm
B	25	mm
C	20	mm
α	6	°
d_k	47	mm
b	3.9	mm
b_1	3.9	mm
M	2.5	mm
r_1	min. 0.6	mm
r_2	min. 1	mm

Abutment dimensions



d_a	min.	38.5	mm
d_a	max.	39.8	mm
D_a	min.	48.5	mm
D_a	max.	50.9	mm
r_a	max.	0.6	mm
r_b	max.	1	mm

Calculation data

Basic dynamic load rating	C	80	kN
Basic static load rating	C	400	kN
Specific dynamic load factor	K	100	N/mm ²
Specific static load factor	K	500	N/mm ²
Material constant	K_M	330	

Mass

Mass plain bearing		0.23	kg
--------------------	--	------	----

