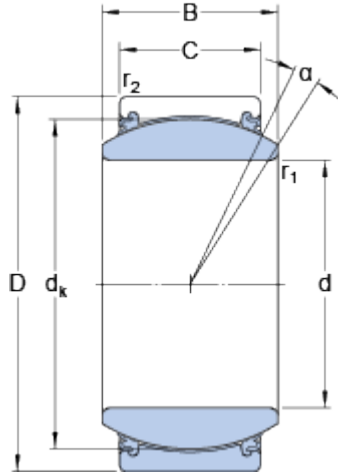


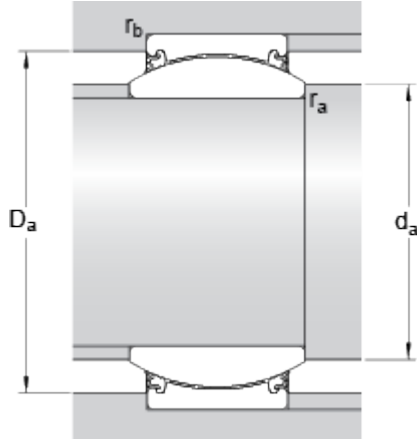
GE 30 TXG3E-2LS

Dimensions



d	30	mm
D	47	mm
B	22	mm
C	18	mm
α	6	°
d_k	40.7	mm
r_1	min. 0.6	mm
r_2	min. 0.6	mm

Abutment dimensions



d_a	min. 33.3	mm
d_a	max. 34.2	mm
D_a	min. 41.3	mm
D_a	max. 44	mm
r_a	max. 0.6	mm
r_b	max. 0.6	mm

Calculation data

Basic dynamic load rating	C	176	kN
Basic static load rating	C	290	kN
Specific dynamic load factor	K	300	N/mm ²
Specific static load factor	K	500	N/mm ²

Mass

Mass plain bearing		0.15	kg
--------------------	--	------	----