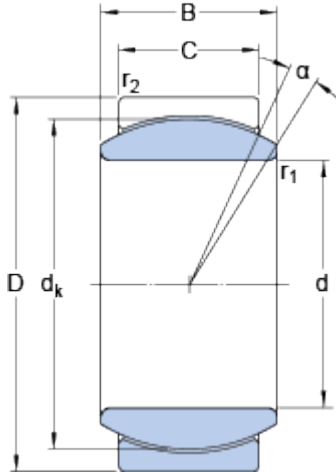


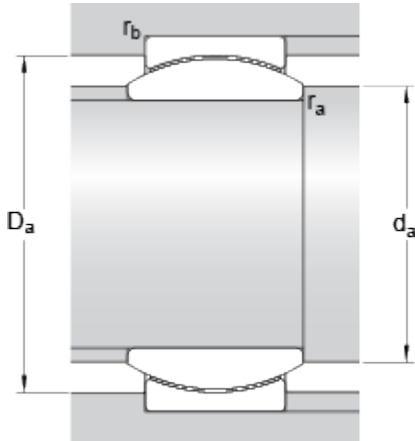
# GE 30 C

## Dimensions



d	30	mm
D	47	mm
B	22	mm
C	18	mm
$\alpha$	6	°
dk	40.7	mm
r <sub>1</sub>	min. 0.6	mm
r <sub>2</sub>	min. 0.6	mm

## Abutment dimensions



da	min. 32.8	mm
da	max. 34.2	mm
Da	min. 38.7	mm
Da	max. 44.4	mm
ra	max. 0.6	mm
rb	max. 0.6	mm

## Calculation data

Basic dynamic load rating	C	65.5	kN
Basic static load rating	C	166	kN
Specific dynamic load factor	K	100	N/mm <sup>2</sup>
Specific static load factor	K	250	N/mm <sup>2</sup>
Material constant	K <sub>M</sub>	1400	

## Mass

Mass plain bearing		0.16	kg
--------------------	--	------	----