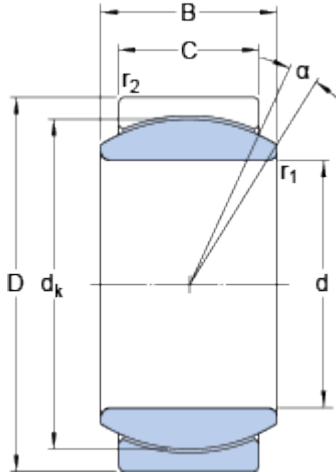


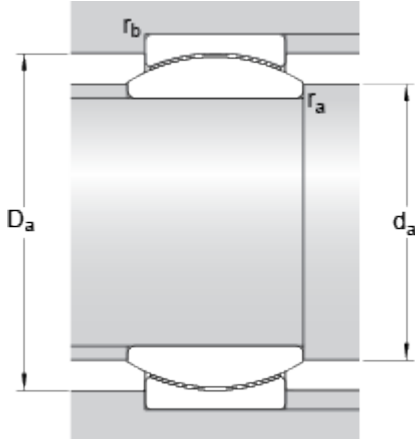
# GE 25 C

## Dimensions



d	25	mm
D	42	mm
B	20	mm
C	16	mm
$\alpha$	7	°
dk	35.5	mm
r <sub>1</sub>	min. 0.6	mm
r <sub>2</sub>	min. 0.6	mm

## Abutment dimensions



da	min. 27.7	mm
da	max. 29.3	mm
Da	min. 33.7	mm
Da	max. 39.5	mm
ra	max. 0.6	mm
rb	max. 0.6	mm

## Calculation data

Basic dynamic load rating	C	51	kN
Basic static load rating	C	127	kN
Specific dynamic load factor	K	100	N/mm <sup>2</sup>
Specific static load factor	K	250	N/mm <sup>2</sup>
Material constant	K <sub>M</sub>	1400	

## Mass

Mass plain bearing		0.12	kg
--------------------	--	------	----