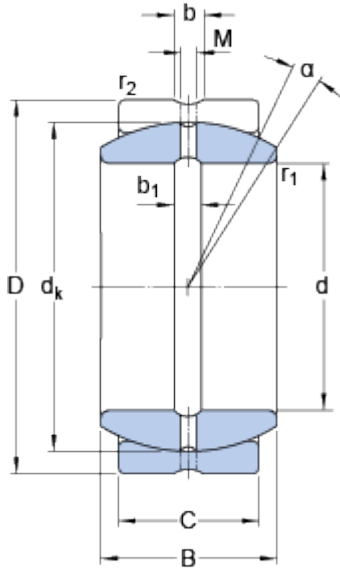


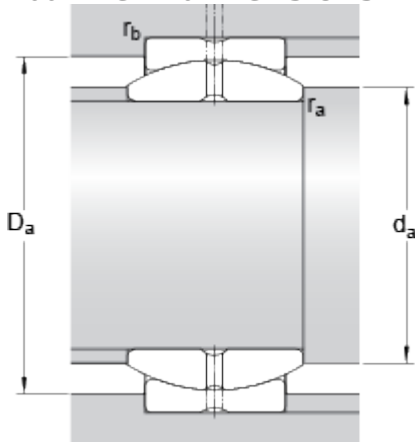
GE 17 ES

Dimensions



d	17	mm
D	30	mm
B	14	mm
C	10	mm
α	10	°
d_k	25	mm
b	2.3	mm
b_1	2.3	mm
M	1.5	mm
r_1	min. 0.3	mm
r_2	min. 0.3	mm

Abutment dimensions



d_a	min.	19	mm
d_a	max.	20.7	mm
D_a	min.	23.7	mm
D_a	max.	28.3	mm
r_a	max.	0.3	mm
r_b	max.	0.3	mm

Calculation data

Basic dynamic load rating	C	21.2	kN
Basic static load rating	C	106	kN
Specific dynamic load factor	K	100	N/mm ²
Specific static load factor	K	500	N/mm ²
Material constant	K_M	330	

Mass

Mass plain bearing		0.05	kg
--------------------	--	------	----

