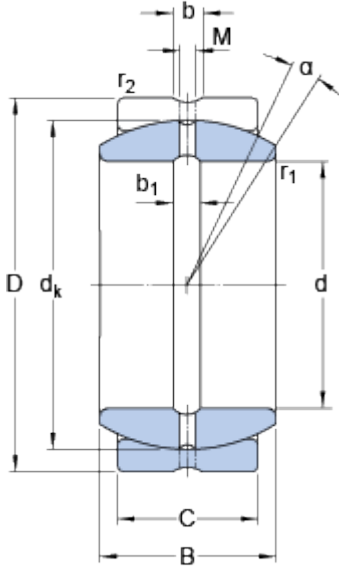


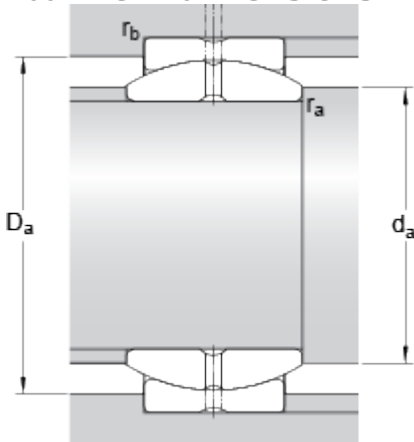
GE 15 ES

Dimensions



d	15	mm
D	26	mm
B	12	mm
C	9	mm
α	8	°
d_k	22	mm
b	2.3	mm
b_1	2.3	mm
M	1.5	mm
r_1	min. 0.3	mm
r_2	min. 0.3	mm

Abutment dimensions



d_a	min.	16.9	mm
d_a	max.	18.4	mm
D_a	min.	20.9	mm
D_a	max.	24.3	mm
r_a	max.	0.3	mm
r_b	max.	0.3	mm

Calculation data

Basic dynamic load rating	C	17	kN
Basic static load rating	C	85	kN
Specific dynamic load factor	K	100	N/mm ²
Specific static load factor	K	500	N/mm ²
Material constant	K_M	330	

Mass

Mass plain bearing		0.032	kg
--------------------	--	-------	----

