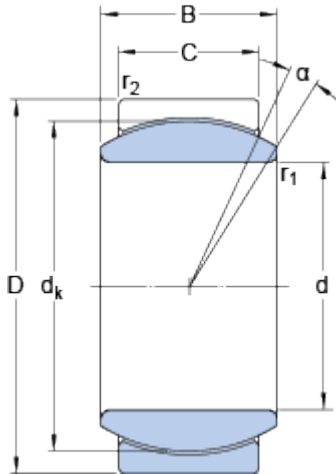


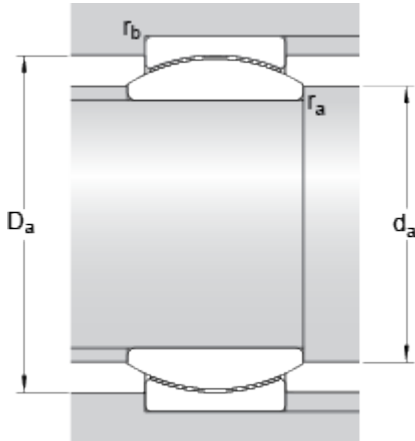
# GE 15 C

## Dimensions



d	15	mm
D	26	mm
B	12	mm
C	9	mm
$\alpha$	8	°
dk	22	mm
r <sub>1</sub>	min. 0.3	mm
r <sub>2</sub>	min. 0.3	mm

## Abutment dimensions



da	min. 16.6	mm
da	max. 18.4	mm
Da	min. 20.9	mm
Da	max. 24.5	mm
ra	max. 0.3	mm
rb	max. 0.3	mm

## Calculation data

Basic dynamic load rating	C	18	kN
Basic static load rating	C	45	kN
Specific dynamic load factor	K	100	N/mm <sup>2</sup>
Specific static load factor	K	250	N/mm <sup>2</sup>
Material constant	K <sub>M</sub>	1400	

## Mass

Mass plain bearing	0.032	kg
--------------------	-------	----