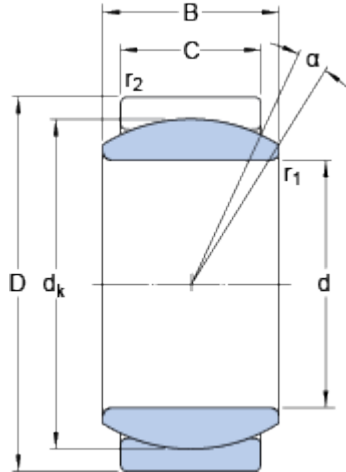


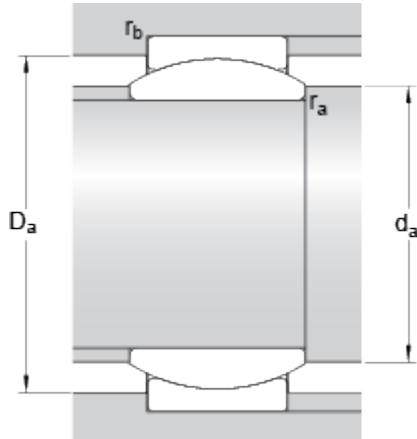
GE 12 E

Dimensions



d	12	mm
D	22	mm
B	10	mm
C	7	mm
α	10	°
d_k	18	mm
r_1	min. 0.3	mm
r_2	min. 0.3	mm

Abutment dimensions



d_a	min. 13.8	mm
d_a	max. 15	mm
D_a	min. 17.1	mm
D_a	max. 20.4	mm
r_a	max. 0.3	mm
r_b	max. 0.3	mm

Calculation data

Basic dynamic load rating	C	10.8	kN
Basic static load rating	C	54	kN
Specific dynamic load factor	K	100	N/mm ²
Specific static load factor	K	500	N/mm ²
Material constant	K_M	330	

Mass

Mass plain bearing		0.016	kg
--------------------	--	-------	----