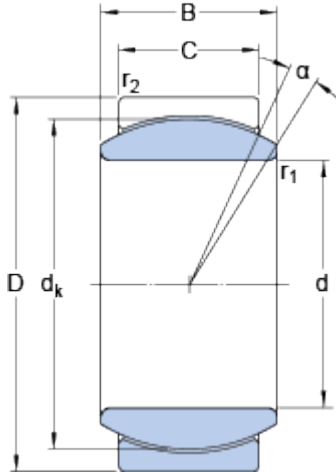


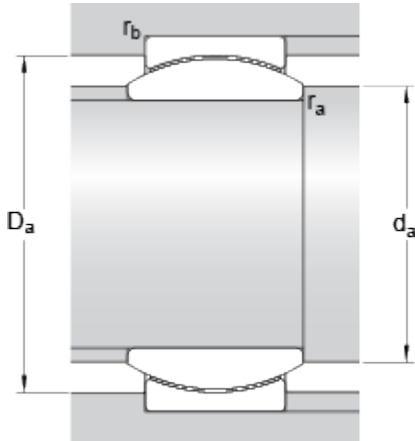
GE 12 C

Dimensions



d	12	mm
D	22	mm
B	10	mm
C	7	mm
α	10	°
dk	18	mm
r ₁	min. 0.3	mm
r ₂	min. 0.3	mm

Abutment dimensions



da	min. 13.5	mm
da	max. 15	mm
Da	min. 17.1	mm
Da	max. 20.6	mm
ra	max. 0.3	mm
rb	max. 0.3	mm

Calculation data

Basic dynamic load rating	C	11.4	kN
Basic static load rating	C	28.5	kN
Specific dynamic load factor	K	100	N/mm ²
Specific static load factor	K	250	N/mm ²
Material constant	K _M	1400	

Mass

Mass plain bearing	0.017	kg
--------------------	-------	----