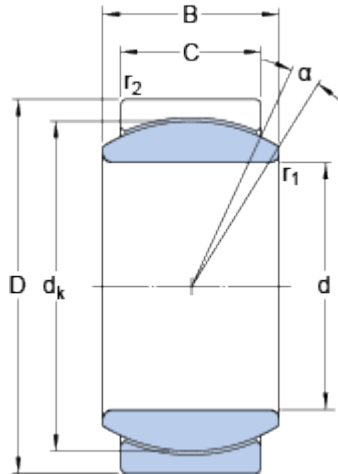


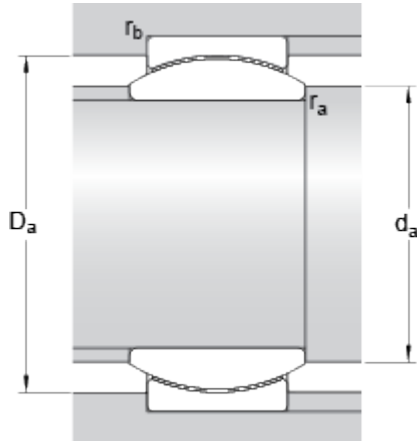
# GE 10 C

## Dimensions



d	10	mm
D	19	mm
B	9	mm
C	6	mm
$\alpha$	12	°
dk	16	mm
r <sub>1</sub>	min. 0.3	mm
r <sub>2</sub>	min. 0.3	mm

## Abutment dimensions



da	min. 11.5	mm
da	max. 13.2	mm
Da	min. 15.2	mm
Da	max. 17.6	mm
ra	max. 0.3	mm
rb	max. 0.3	mm

## Calculation data

Basic dynamic load rating	C	8.65	kN
Basic static load rating	C	21.6	kN
Specific dynamic load factor	K	100	N/mm <sup>2</sup>
Specific static load factor	K	250	N/mm <sup>2</sup>
Material constant	K <sub>M</sub>	1400	

## Mass

Mass plain bearing	0.012	kg
--------------------	-------	----