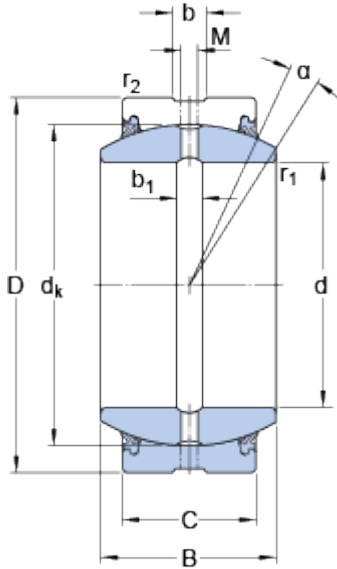


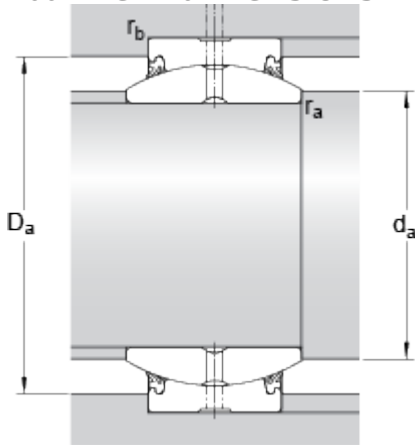
GEZ 208 ES-2RS

Dimensions



d	63.5	mm
D	100.013	mm
B	55.55	mm
C	47.625	mm
α	6	°
dk	91.186	mm
b	9	mm
b ₁	8	mm
M	6.5	mm
r ₁	min. 0.6	mm
r ₂	min. 1	mm

Abutment dimensions



d _a	min.	68.3	mm
d _a	max.	72.3	mm
D _a	min.	87	mm
D _a	max.	94.7	mm
r _a	max.	0.6	mm
r _b	max.	1	mm

Calculation data

Basic dynamic load rating	C	345	kN
Basic static load rating	C	1040	kN
Specific dynamic load factor	K	100	N/mm ²
Specific static load factor	K	300	N/mm ²
Material constant	K _M	330	

Mass

Mass plain bearing		1.85	kg
--------------------	--	------	----

