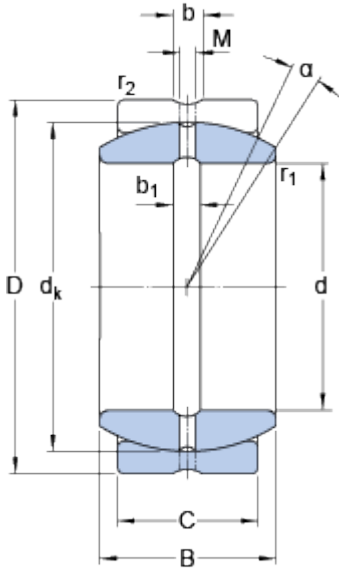


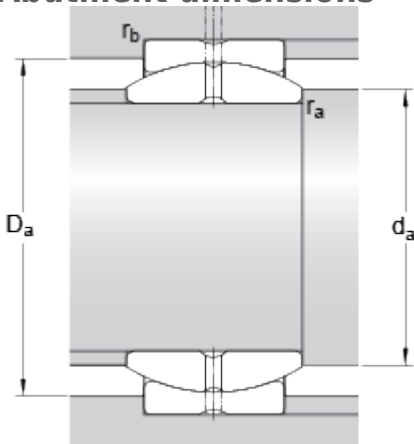
GEZ 204 ES

Dimensions



d	57.15	mm
D	90.488	mm
B	50.013	mm
C	42.85	mm
α	6	°
d_k	82.169	mm
b	5.7	mm
b_1	5	mm
M	4	mm
r_1	min. 0.6	mm
r_2	min. 1	mm

Abutment dimensions



d_a	min.	61.7	mm
d_a	max.	65.2	mm
D_a	min.	78.1	mm
D_a	max.	85.3	mm
r_a	max.	0.6	mm
r_b	max.	1	mm

Calculation data

Basic dynamic load rating	C	280	kN
Basic static load rating	C	850	kN
Specific dynamic load factor	K	100	N/mm ²
Specific static load factor	K	300	N/mm ²
Material constant	K_M	330	

Mass

Mass plain bearing		1.3	kg
--------------------	--	-----	----

