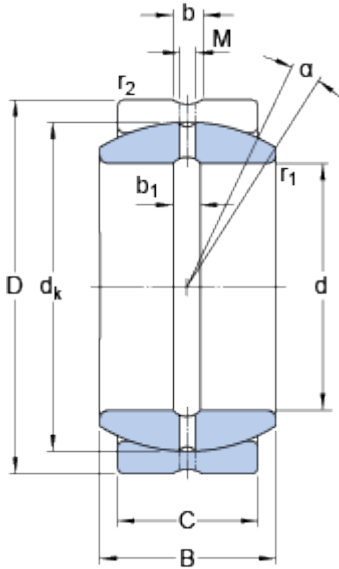


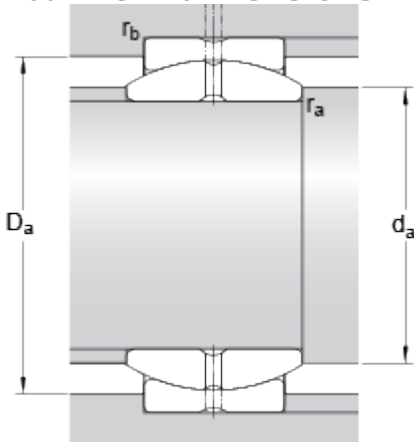
GEZ 200 ES

Dimensions



d	50.8	mm
D	80.963	mm
B	44.45	mm
C	38.1	mm
α	6	°
dk	73.025	mm
b	4.8	mm
b ₁	5	mm
M	4	mm
r ₁	min. 0.6	mm
r ₂	min. 1	mm

Abutment dimensions



d _a	min.	55.1	mm
d _a	max.	57.9	mm
D _a	min.	69.4	mm
D _a	max.	75.9	mm
r _a	max.	0.6	mm
r _b	max.	1	mm

Calculation data

Basic dynamic load rating	C	224	kN
Basic static load rating	C	670	kN
Specific dynamic load factor	K	100	N/mm ²
Specific static load factor	K	300	N/mm ²
Material constant	K _M	330	

Mass

Mass plain bearing		0.93	kg
--------------------	--	------	----

