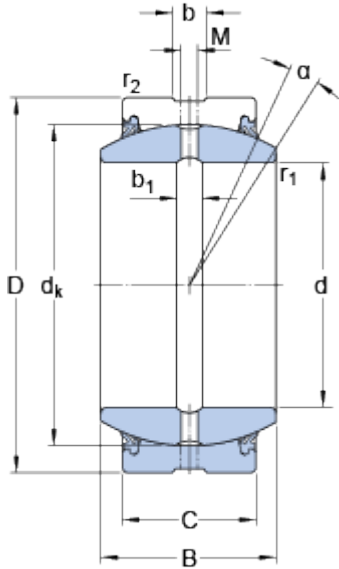


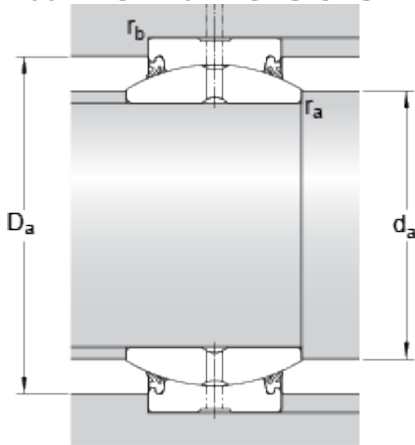
# GEZ 200 ES-2RS

## Dimensions



|                |          |    |
|----------------|----------|----|
| d              | 50.8     | mm |
| D              | 80.963   | mm |
| B              | 44.45    | mm |
| C              | 38.1     | mm |
| $\alpha$       | 6        | °  |
| dk             | 73.025   | mm |
| b              | 4.8      | mm |
| b <sub>1</sub> | 5        | mm |
| M              | 4        | mm |
| r <sub>1</sub> | min. 0.6 | mm |
| r <sub>2</sub> | min. 1   | mm |

## Abutment dimensions



|                |      |      |    |
|----------------|------|------|----|
| d <sub>a</sub> | min. | 55.1 | mm |
| d <sub>a</sub> | max. | 57.9 | mm |
| D <sub>a</sub> | min. | 72.4 | mm |
| D <sub>a</sub> | max. | 75.9 | mm |
| r <sub>a</sub> | max. | 0.6  | mm |
| r <sub>b</sub> | max. | 1    | mm |

## Calculation data

|                              |                |     |                   |
|------------------------------|----------------|-----|-------------------|
| Basic dynamic load rating    | C              | 224 | kN                |
| Basic static load rating     | C              | 670 | kN                |
| Specific dynamic load factor | K              | 100 | N/mm <sup>2</sup> |
| Specific static load factor  | K              | 300 | N/mm <sup>2</sup> |
| Material constant            | K <sub>M</sub> | 330 |                   |

## Mass

|                    |  |      |    |
|--------------------|--|------|----|
| Mass plain bearing |  | 0.93 | kg |
|--------------------|--|------|----|

