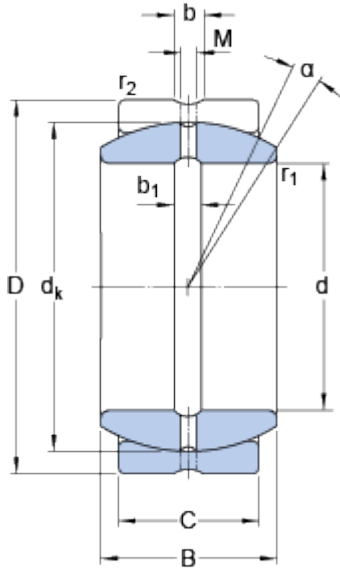


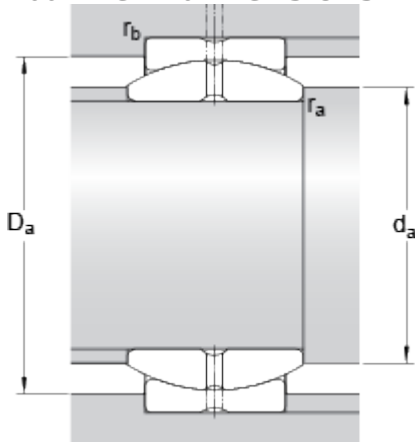
GEZ 104 ES

Dimensions



| | | |
|----------|----------|----|
| d | 31.75 | mm |
| D | 50.8 | mm |
| B | 27.762 | mm |
| C | 23.8 | mm |
| α | 6 | ° |
| d_k | 45.593 | mm |
| b | 4.8 | mm |
| b_1 | 5 | mm |
| M | 4 | mm |
| r_1 | min. 0.6 | mm |
| r_2 | min. 1 | mm |

Abutment dimensions



| | | | |
|-------|------|------|----|
| d_a | min. | 34.8 | mm |
| d_a | max. | 36.2 | mm |
| D_a | min. | 43.3 | mm |
| D_a | max. | 47 | mm |
| r_a | max. | 0.6 | mm |
| r_b | max. | 1 | mm |

Calculation data

| | | | |
|------------------------------|-------|------|-------------------|
| Basic dynamic load rating | C | 86.5 | kN |
| Basic static load rating | C | 260 | kN |
| Specific dynamic load factor | K | 100 | N/mm ² |
| Specific static load factor | K | 300 | N/mm ² |
| Material constant | K_M | 330 | |

Mass

| | | | |
|--------------------|--|------|----|
| Mass plain bearing | | 0.23 | kg |
|--------------------|--|------|----|

