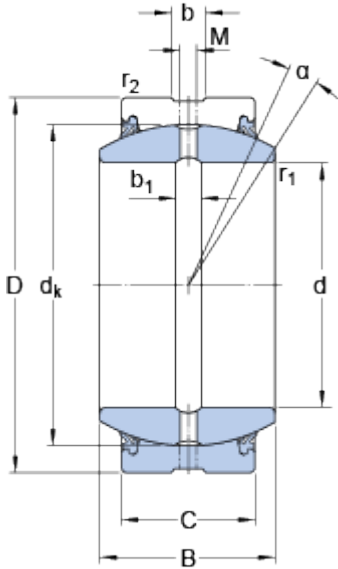


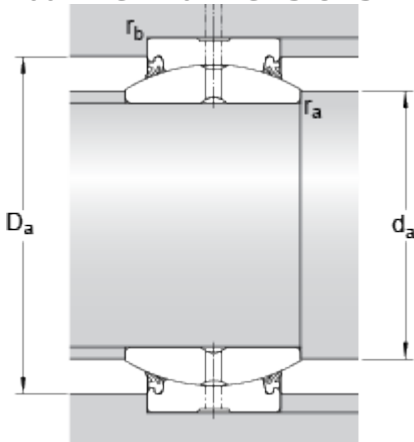
GEZ 100 ES-2RS

Dimensions



d	25.4	mm
D	41.275	mm
B	22.225	mm
C	19.05	mm
α	6	°
dk	36.5	mm
b	3.2	mm
b ₁	3	mm
M	2.5	mm
r ₁	min. 0.3	mm
r ₂	min. 1	mm

Abutment dimensions



d _a	min.	27.5	mm
d _a	max.	29	mm
D _a	min.	35.2	mm
D _a	max.	37.7	mm
r _a	max.	0.3	mm
r _b	max.	1	mm

Calculation data

Basic dynamic load rating	C	56	kN
Basic static load rating	C	166	kN
Specific dynamic load factor	K	100	N/mm ²
Specific static load factor	K	300	N/mm ²
Material constant	K _M	330	

Mass

Mass plain bearing		0.12	kg
--------------------	--	------	----

