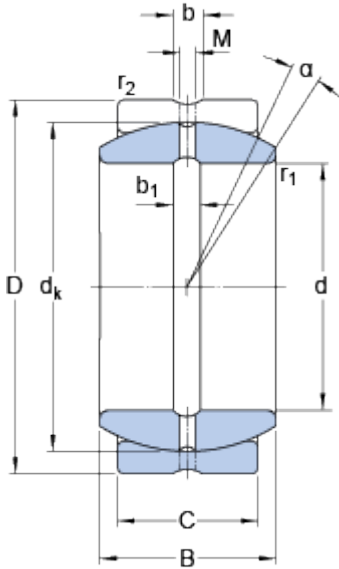


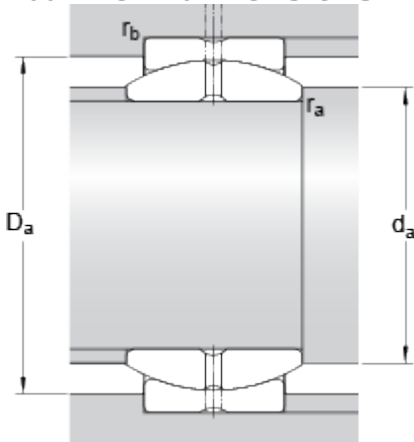
GEZ 014 ES

Dimensions



d	22.225	mm
D	36.513	mm
B	19.431	mm
C	16.662	mm
α	6	°
d_k	31.953	mm
b	3.2	mm
b_1	3	mm
M	2.5	mm
r_1	min. 0.3	mm
r_2	min. 1	mm

Abutment dimensions



d_a	min.	24.2	mm
d_a	max.	25.4	mm
D_a	min.	30.4	mm
D_a	max.	33	mm
r_a	max.	0.3	mm
r_b	max.	1	mm

Calculation data

Basic dynamic load rating	C	42.5	kN
Basic static load rating	C	127	kN
Specific dynamic load factor	K	100	N/mm ²
Specific static load factor	K	300	N/mm ²
Material constant	K_M	330	

Mass

Mass plain bearing		0.085	kg
--------------------	--	-------	----

