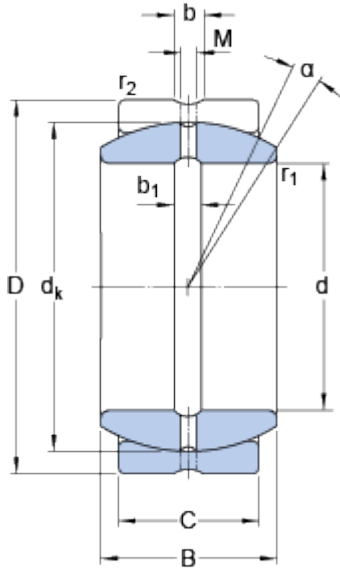


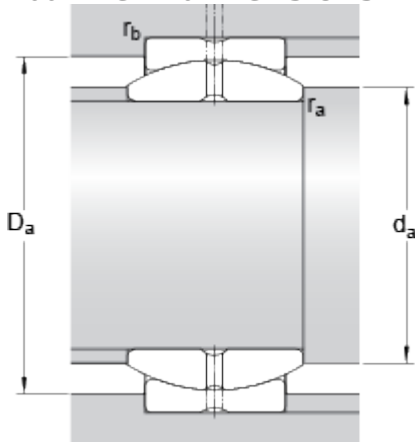
GEZ 010 ES

Dimensions



d	15.875	mm
D	26.988	mm
B	13.894	mm
C	11.913	mm
α	6	°
d_k	22.835	mm
b	3.2	mm
b_1	3	mm
M	2.5	mm
r_1	min. 0.15	mm
r_2	min. 1	mm

Abutment dimensions



d_a	min.	17	mm
d_a	max.	18.1	mm
D_a	min.	21.7	mm
D_a	max.	23.6	mm
r_a	max.	0.15	mm
r_b	max.	1	mm

Calculation data

Basic dynamic load rating	C	21.5	kN
Basic static load rating	C	65.5	kN
Specific dynamic load factor	K	100	N/mm ²
Specific static load factor	K	300	N/mm ²
Material constant	K_M	330	

Mass

Mass plain bearing		0.035	kg
--------------------	--	-------	----

