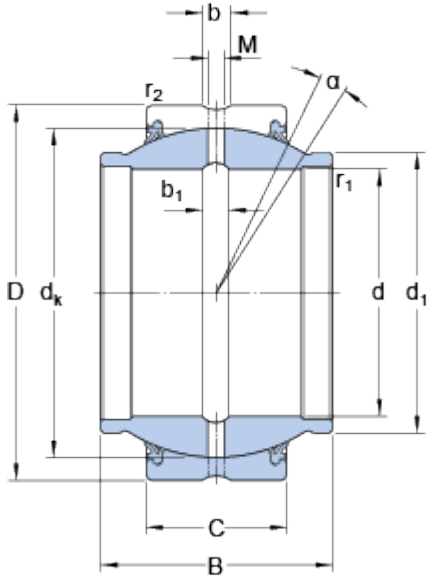


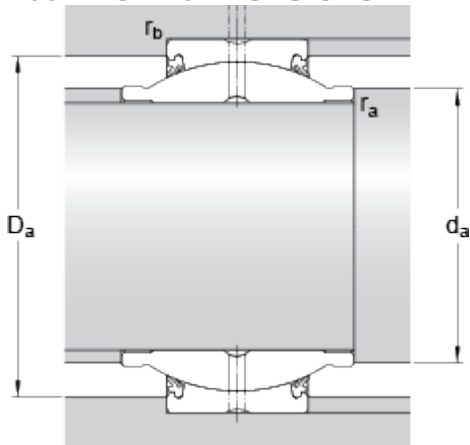
GEM 70 ES-2RS

Dimensions



d	70	mm
D	105	mm
B	65	mm
C	40	mm
α	4	°
d_k	92	mm
d_1	≈ 78	mm
b	7.7	mm
b_1	7.7	mm
M	4	mm
r_1	min. 0.6	mm
r_2	min. 1	mm

Abutment dimensions



d_a	min.	75.7	mm
d_a	max.	78	mm
D_a	min.	92	mm
D_a	max.	99	mm
r_a	max.	0.6	mm
r_b	max.	1	mm

Calculation data

Basic dynamic load rating	C	315	kN
Basic static load rating	C	1560	kN
Specific dynamic load factor	K	100	N/mm ²
Specific static load factor	K	500	N/mm ²
Material constant	K_M	330	

Mass

Mass plain bearing		1.59	kg
--------------------	--	------	----

