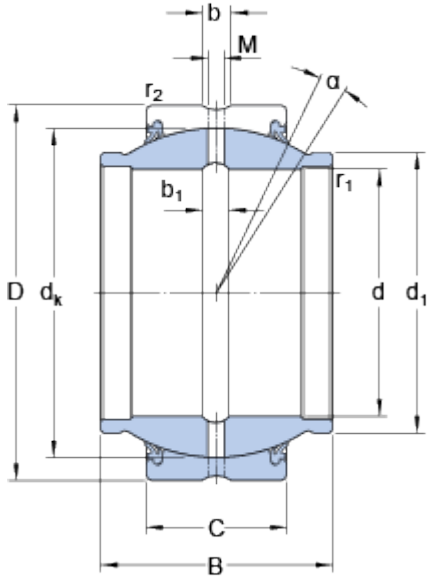


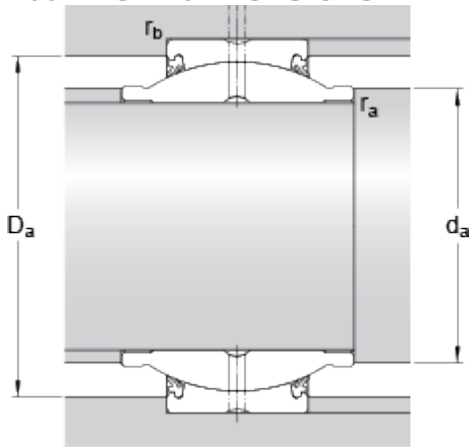
# GEM 50 ES-2RS

## Dimensions



$d$	50	mm
$D$	75	mm
$B$	43	mm
$C$	28	mm
$\alpha$	4	°
$d_k$	66	mm
$d_1$	≈ 57	mm
$b$	4.6	mm
$b_1$	4.6	mm
$M$	3	mm
$r_1$	min. 0.6	mm
$r_2$	min. 1	mm

## Abutment dimensions



$d_a$	min.	54.8	mm
$d_a$	max.	57	mm
$D_a$	min.	66.2	mm
$D_a$	max.	70.5	mm
$r_a$	max.	0.6	mm
$r_b$	max.	1	mm

## Calculation data

Basic dynamic load rating	C	156	kN
Basic static load rating	C	780	kN
Specific dynamic load factor	K	100	N/mm <sup>2</sup>
Specific static load factor	K	500	N/mm <sup>2</sup>
Material constant	$K_M$	330	

## Mass

Mass plain bearing		0.6	kg
--------------------	--	-----	----

