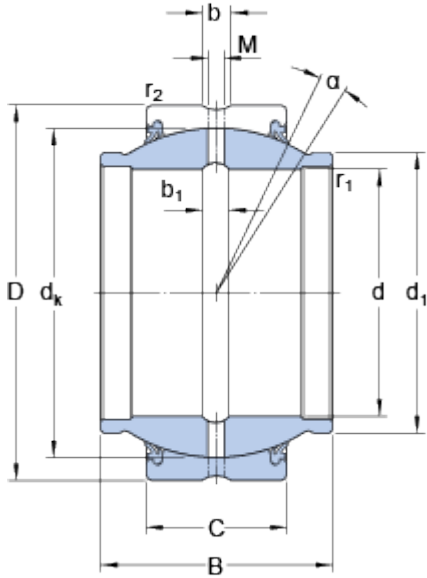


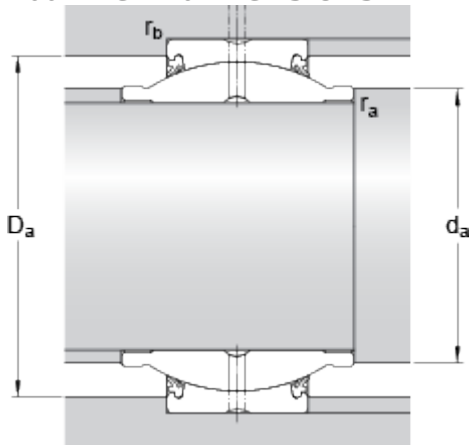
GEM 45 ES-2RS

Dimensions



d	45	mm
D	68	mm
B	40	mm
C	25	mm
α	4	°
d_k	60	mm
d_1	≈ 52	mm
b	4.6	mm
b_1	4.6	mm
M	3	mm
r_1	min. 0.6	mm
r_2	min. 1	mm

Abutment dimensions



d_a	min.	49.6	mm
d_a	max.	52	mm
D_a	min.	61	mm
D_a	max.	63.6	mm
r_a	max.	0.6	mm
r_b	max.	1	mm

Calculation data

Basic dynamic load rating	C	127	kN
Basic static load rating	C	640	kN
Specific dynamic load factor	K	100	N/mm ²
Specific static load factor	K	500	N/mm ²
Material constant	K_M	330	

Mass

Mass plain bearing		0.49	kg
--------------------	--	------	----

