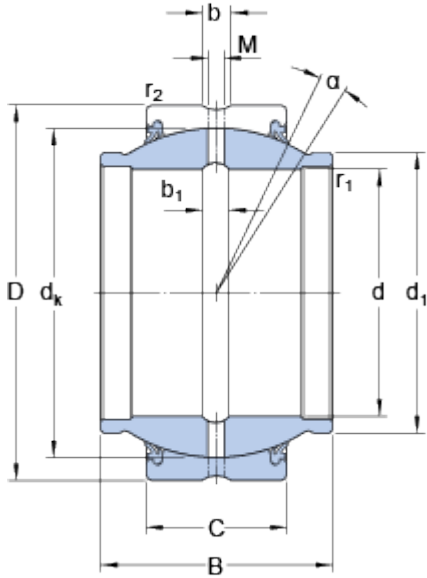


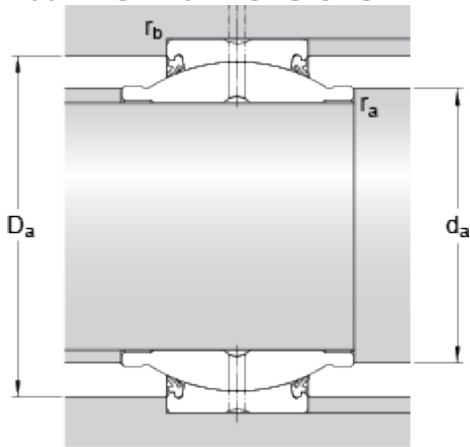
GEM 30 ES-2RS

Dimensions



d	30	mm
D	47	mm
B	30	mm
C	18	mm
α	4	°
dk	40.7	mm
d ₁	≈ 34	mm
b	3.1	mm
b ₁	3.1	mm
M	2	mm
r ₁	min. 0.3	mm
r ₂	min. 0.6	mm

Abutment dimensions



d _a	min.	33.5	mm
d _a	max.	34	mm
D _a	min.	41.3	mm
D _a	max.	44	mm
r _a	max.	0.3	mm
r _b	max.	0.6	mm

Calculation data

Basic dynamic load rating	C	62	kN
Basic static load rating	C	310	kN
Specific dynamic load factor	K	100	N/mm ²
Specific static load factor	K	500	N/mm ²
Material constant	K _M	330	

Mass

Mass plain bearing		0.15	kg
--------------------	--	------	----

