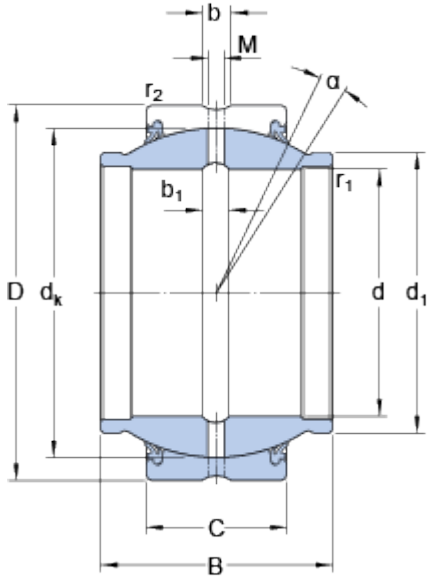


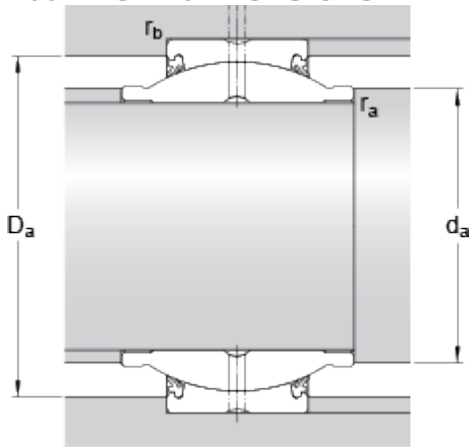
# GEM 25 ES-2RS

## Dimensions



d	25	mm
D	42	mm
B	29	mm
C	16	mm
$\alpha$	4	°
dk	35.5	mm
d <sub>1</sub>	≈ 29	mm
b	3.1	mm
b <sub>1</sub>	3.1	mm
M	2	mm
r <sub>1</sub>	min. 0.3	mm
r <sub>2</sub>	min. 0.6	mm

## Abutment dimensions



d <sub>a</sub>	min.	28.3	mm
d <sub>a</sub>	max.	29	mm
D <sub>a</sub>	min.	36.9	mm
D <sub>a</sub>	max.	39.2	mm
r <sub>a</sub>	max.	0.3	mm
r <sub>b</sub>	max.	0.6	mm

## Calculation data

Basic dynamic load rating	C	48	kN
Basic static load rating	C	240	kN
Specific dynamic load factor	K	100	N/mm <sup>2</sup>
Specific static load factor	K	500	N/mm <sup>2</sup>
Material constant	K <sub>M</sub>	330	

## Mass

Mass plain bearing		0.12	kg
--------------------	--	------	----

