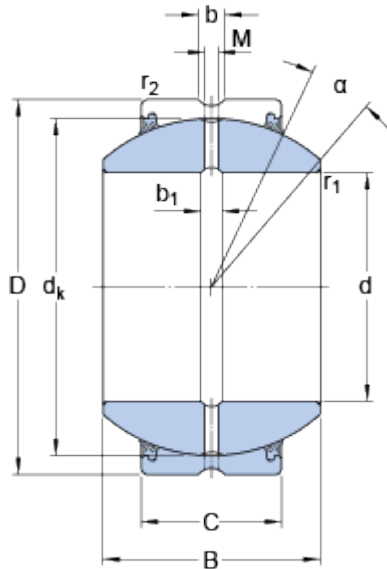


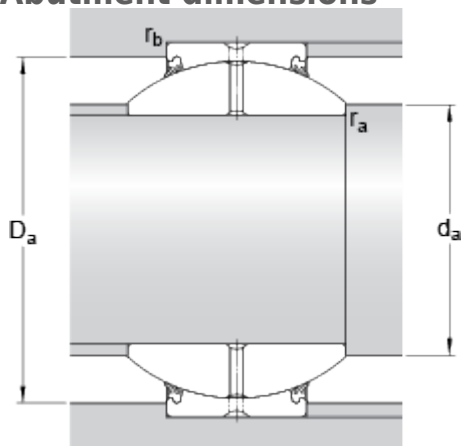
GEH 70 ES-2RS

Dimensions



d	70	mm
D	120	mm
B	70	mm
C	45	mm
α	16	°
d_k	105	mm
b	7.7	mm
b_1	7.7	mm
M	4	mm
r_1	min. 1	mm
r_2	min. 1	mm

Abutment dimensions



d_a	min.	77.5	mm
d_a	max.	78.3	mm
D_a	min.	104.4	mm
D_a	max.	113.8	mm
r_a	max.	1	mm
r_b	max.	1	mm

Calculation data

Basic dynamic load rating	C	400	kN
Basic static load rating	C	2000	kN
Specific dynamic load factor	K	100	N/mm ²
Specific static load factor	K	500	N/mm ²
Material constant	K_M	330	

Mass

Mass plain bearing		3.4	kg
--------------------	--	-----	----

