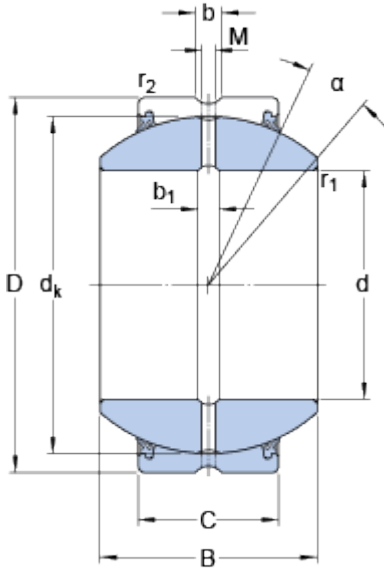


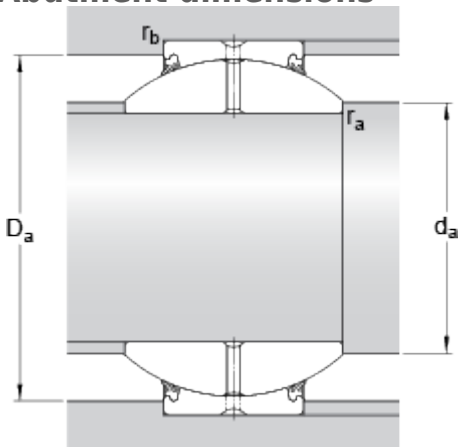
# GEH 50 ES-2RS

## Dimensions



d	50	mm
D	90	mm
B	56	mm
C	36	mm
$\alpha$	17	°
$d_k$	80	mm
b	6.2	mm
$b_1$	6.2	mm
M	4	mm
$r_1$	min. 0.6	mm
$r_2$	min. 1	mm

## Abutment dimensions



$d_a$	min.	55.8	mm
$d_a$	max.	57.1	mm
$D_a$	min.	79.7	mm
$D_a$	max.	84.2	mm
$r_a$	max.	0.6	mm
$r_b$	max.	1	mm

## Calculation data

Basic dynamic load rating	C	245	kN
Basic static load rating	C	1220	kN
Specific dynamic load factor	K	100	N/mm <sup>2</sup>
Specific static load factor	K	500	N/mm <sup>2</sup>
Material constant	$K_M$	330	

## Mass

Mass plain bearing		1.6	kg
--------------------	--	-----	----

