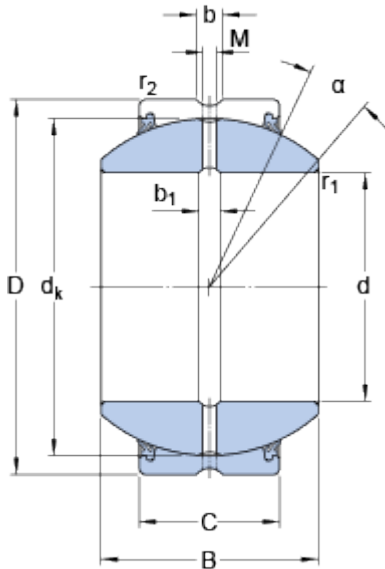


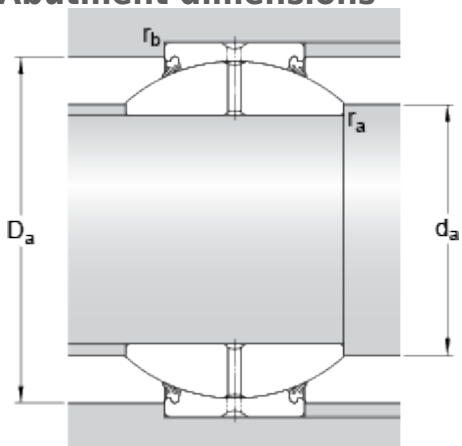
GEH 25 ES-2RS

Dimensions



| | | |
|----------|----------|----|
| d | 25 | mm |
| D | 47 | mm |
| B | 28 | mm |
| C | 18 | mm |
| α | 17 | ° |
| d_k | 40.7 | mm |
| b | 3.1 | mm |
| b_1 | 3.1 | mm |
| M | 2 | mm |
| r_1 | min. 0.6 | mm |
| r_2 | min. 0.6 | mm |

Abutment dimensions



| | | | |
|-------|------|------|----|
| d_a | min. | 28.6 | mm |
| d_a | max. | 29.5 | mm |
| D_a | min. | 41.3 | mm |
| D_a | max. | 44 | mm |
| r_a | max. | 0.6 | mm |
| r_b | max. | 0.6 | mm |

Calculation data

| | | | |
|------------------------------|-------|-----|-------------------|
| Basic dynamic load rating | C | 62 | kN |
| Basic static load rating | C | 310 | kN |
| Specific dynamic load factor | K | 100 | N/mm ² |
| Specific static load factor | K | 500 | N/mm ² |
| Material constant | K_M | 330 | |

Mass

| | | | |
|--------------------|--|------|----|
| Mass plain bearing | | 0.18 | kg |
|--------------------|--|------|----|

