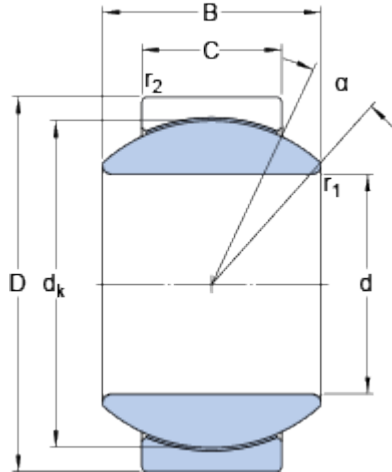


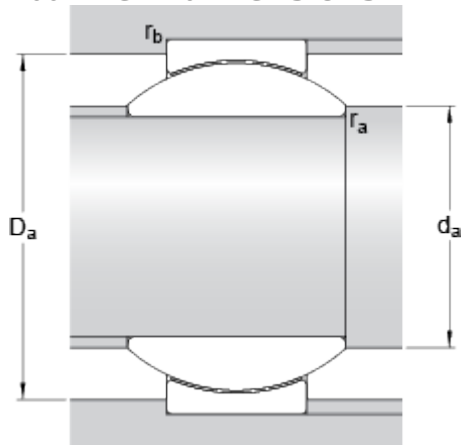
# GEH 17 C

## Dimensions



d	17	mm
D	35	mm
B	20	mm
C	12	mm
$\alpha$	19	°
dk	29	mm
r <sub>1</sub>	min. 0.3	mm
r <sub>2</sub>	min. 0.3	mm

## Abutment dimensions



d <sub>a</sub>	min.	18.9	mm
d <sub>a</sub>	max.	21	mm
D <sub>a</sub>	min.	27.6	mm
D <sub>a</sub>	max.	33.4	mm
r <sub>a</sub>	max.	0.3	mm
r <sub>b</sub>	max.	0.3	mm

## Calculation data

Basic dynamic load rating	C	31.5	kN
Basic static load rating	C	78	kN
Specific dynamic load factor	K	100	N/mm <sup>2</sup>
Specific static load factor	K	250	N/mm <sup>2</sup>
Material constant	K <sub>M</sub>	1400	

## Mass

Mass plain bearing		0.09	kg
--------------------	--	------	----