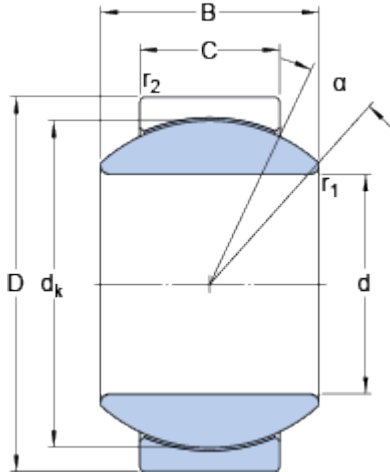


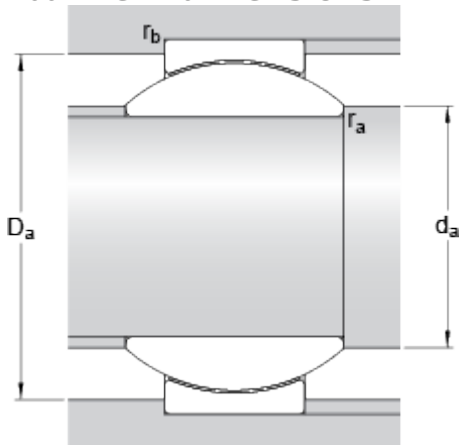
GEH 12 C

Dimensions



d	12	mm
D	26	mm
B	15	mm
C	9	mm
α	18	°
dk	22	mm
r ₁	min. 0.3	mm
r ₂	min. 0.3	mm

Abutment dimensions



d _a	min.	13.7	mm
d _a	max.	16.1	mm
D _a	min.	20.9	mm
D _a	max.	24.5	mm
r _a	max.	0.3	mm
r _b	max.	0.3	mm

Calculation data

Basic dynamic load rating	C	18	kN
Basic static load rating	C	45	kN
Specific dynamic load factor	K	100	N/mm ²
Specific static load factor	K	250	N/mm ²
Material constant	K _M	1400	

Mass

Mass plain bearing		0.03	kg
--------------------	--	------	----