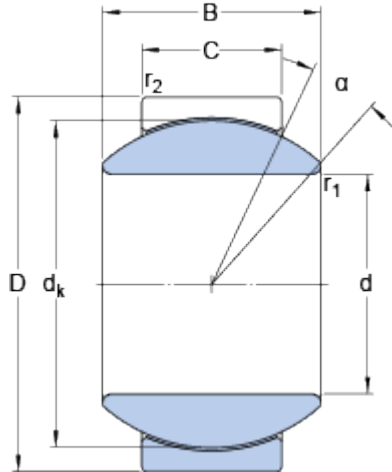


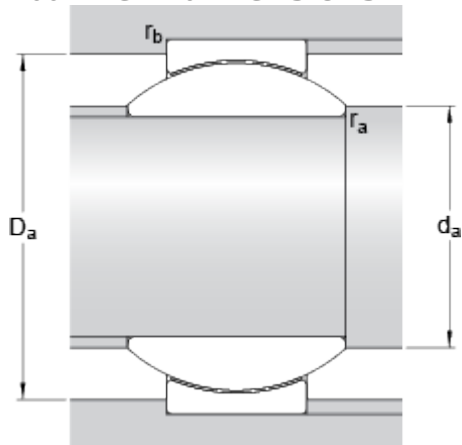
# GEH 10 C

## Dimensions



d	10	mm
D	22	mm
B	12	mm
C	7	mm
$\alpha$	18	°
dk	18	mm
r <sub>1</sub>	min. 0.3	mm
r <sub>2</sub>	min. 0.3	mm

## Abutment dimensions



d <sub>a</sub>	min.	11.6	mm
d <sub>a</sub>	max.	13.4	mm
D <sub>a</sub>	min.	17.1	mm
D <sub>a</sub>	max.	20.6	mm
r <sub>a</sub>	max.	0.3	mm
r <sub>b</sub>	max.	0.3	mm

## Calculation data

Basic dynamic load rating	C	11.4	kN
Basic static load rating	C	28.5	kN
Specific dynamic load factor	K	100	N/mm <sup>2</sup>
Specific static load factor	K	250	N/mm <sup>2</sup>
Material constant	K <sub>M</sub>	1400	

## Mass

Mass plain bearing		0.02	kg
--------------------	--	------	----