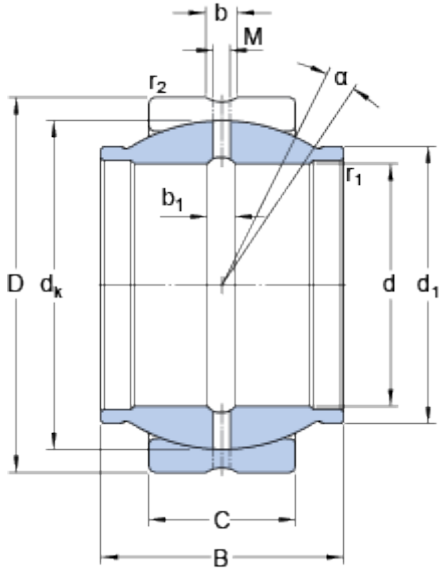


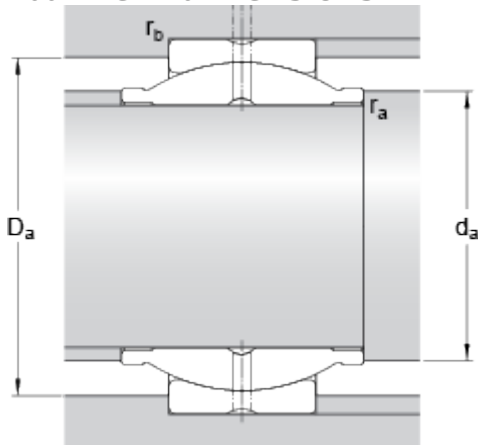
# GEG 50 ES

## Dimensions



d	50	mm
D	75	mm
B	50	mm
C	28	mm
$\alpha$	4	°
dk	66	mm
d <sub>1</sub>	≈ 57	mm
b	4.6	mm
b <sub>1</sub>	4.6	mm
M	3	mm
r <sub>1</sub>	min. 0.6	mm
r <sub>2</sub>	min. 1	mm

## Abutment dimensions



d <sub>a</sub>	min.	55.9	mm
d <sub>a</sub>	max.	57	mm
D <sub>a</sub>	min.	62.7	mm
D <sub>a</sub>	max.	70.5	mm
r <sub>a</sub>	max.	0.6	mm
r <sub>b</sub>	max.	1	mm

## Calculation data

Basic dynamic load rating	C	156	kN
Basic static load rating	C	780	kN
Specific dynamic load factor	K	100	N/mm <sup>2</sup>
Specific static load factor	K	500	N/mm <sup>2</sup>
Material constant	K <sub>M</sub>	330	

## Mass

Mass plain bearing		0.56	kg
--------------------	--	------	----

