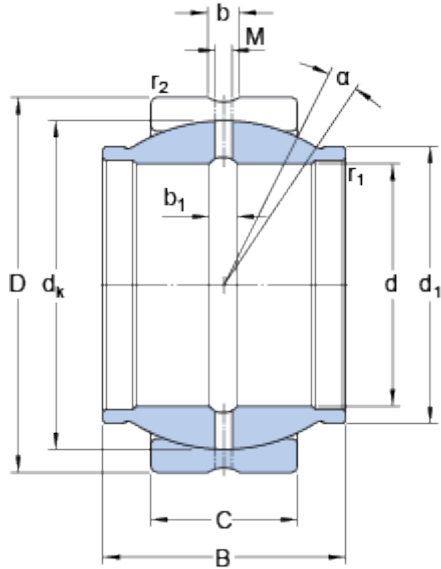


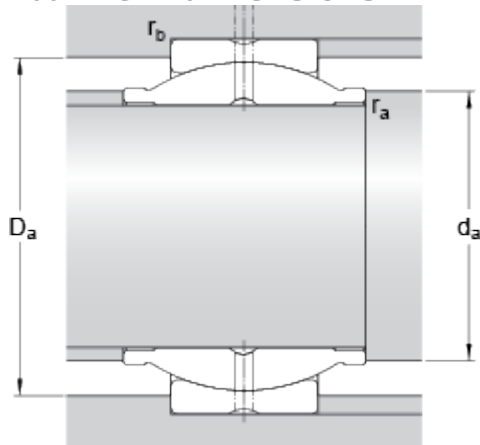
GEG 16 ES

Dimensions



d	16	mm
D	28	mm
B	16	mm
C	9	mm
α	4	°
d_k	23	mm
d_1	≈ 20	mm
b	2.3	mm
b_1	2.3	mm
M	1.5	mm
r_1	min. 0.3	mm
r_2	min. 0.3	mm

Abutment dimensions



d_a	min.	18.7	mm
d_a	max.	20	mm
D_a	min.	21.9	mm
D_a	max.	26.3	mm
r_a	max.	0.3	mm
r_b	max.	0.3	mm

Calculation data

Basic dynamic load rating	C	17.6	kN
Basic static load rating	C	88	kN
Specific dynamic load factor	K	100	N/mm ²
Specific static load factor	K	500	N/mm ²
Material constant	K_M	330	

Mass

Mass plain bearing	0.035	kg
--------------------	-------	----

