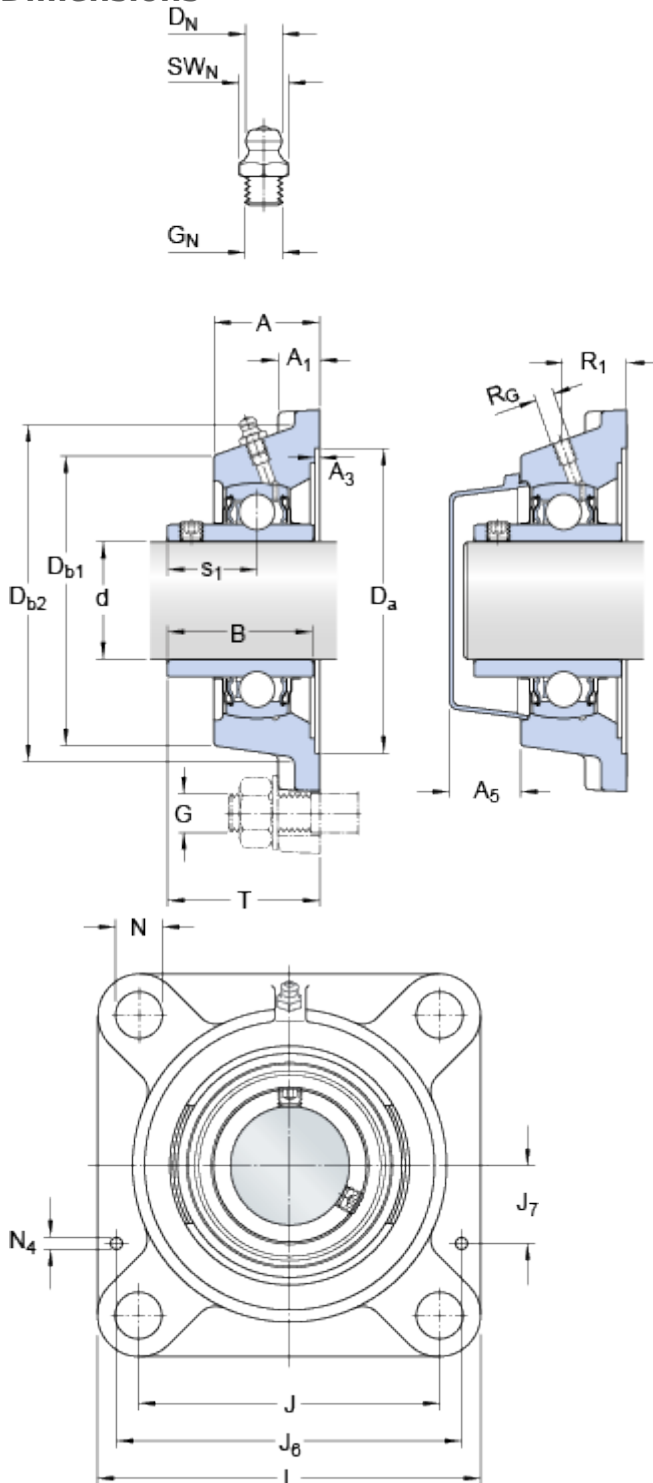


# FY 65 TF

Housing material

Cast iron

## Dimensions



d	65	mm
D <sub>a</sub>	H11	161.9
D <sub>b1</sub>	142	mm
D <sub>b2</sub>	154	mm
A	52.5	mm
A <sub>1</sub>	17	mm
A <sub>3</sub>	H14	3.2
A <sub>5</sub>	35.5	mm
B	68.3	mm
J	149.5	mm
L	187	mm
N	18	mm
s <sub>1</sub>	42.9	mm
T	76.9	mm

### Threaded hole

R<sub>G</sub> 1/4-28 UNF

R<sub>1</sub> 34.5 mm

### Grease fitting

D<sub>N</sub> 6.5 mm

SW<sub>N</sub> 7 mm

G<sub>N</sub> 1/4-28 SAE-LT

### Dowel pins

J<sub>6</sub> 169 mm

J<sub>7</sub> 51 mm

N<sub>4</sub> 4 mm

## Calculation data

Basic dynamic load rating

C 57.2 kN

Basic static load rating

C 40 kN

Fatigue load limit

P<sub>u</sub> 1.7 kN

Limiting speed

3000 r/min

(with shaft tolerance h6)

## Mass

---

Mass bearing unit	4.7	kg
-------------------	-----	----

## Mounting information

---

Thread grub screw	G <sub>2</sub>	M10x1
Hexagonal key size for grub screw	N	5 mm
Recommended tightening torque for grub screw		16.5 N·m
Recommended diameter for attachment bolts, mm	G	16 mm
Recommended diameter for attachment bolts, inch	G	0.625 in

## Included products

---

Housing	<a href="#">FY 513 M</a>
Bearing	<a href="#">YAR 213-2F</a>

## Associated products

---

End cover	<a href="#">ECY 213</a>
-----------	-------------------------