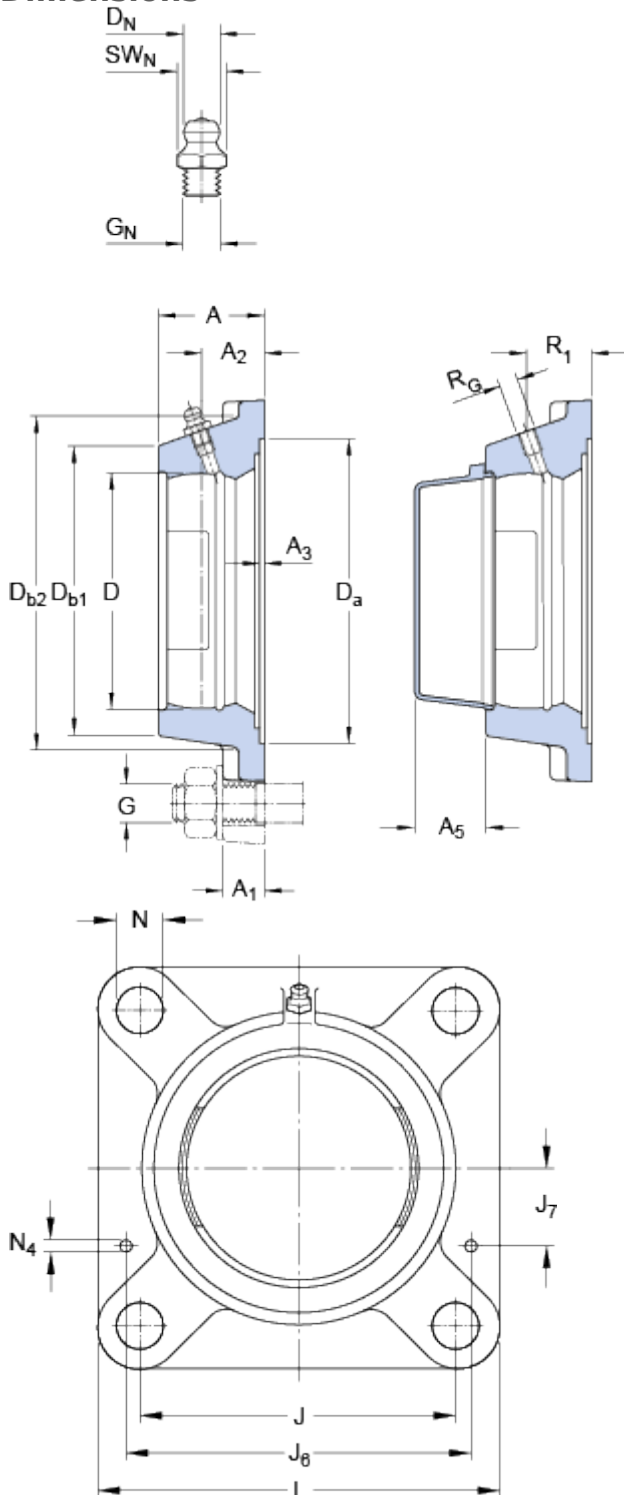


FY 509 M

Material

Cast iron

Dimensions



D		85	mm
D _a	H11	119.1	mm
D _{b1}		102	mm
D _{b2}		112	mm
A		39	mm
A ₁		14	mm
A ₂		24	mm
A ₃	H14	3.2	mm
A ₅		23	mm
J		105	mm
L		137	mm
N		16	mm

Threaded hole

R_G 1/4-28 UNF

R₁ 24.5 mm

Grease fitting

D_N 6.5 mm

SW_N 7 mm

G_N 1/4-28 SAE-LT

Dowel pins

J₆ 123 mm

J₇ 33.5 mm

N₄ 4 mm

Mass

Mass housing

1.3

kg

Mounting information

Recommended diameter for attachment bolts, mm

G

14

mm

Recommended diameter for attachment bolts, inch

G

0.5625

in

Appropriate products

End cover

ECY 209

