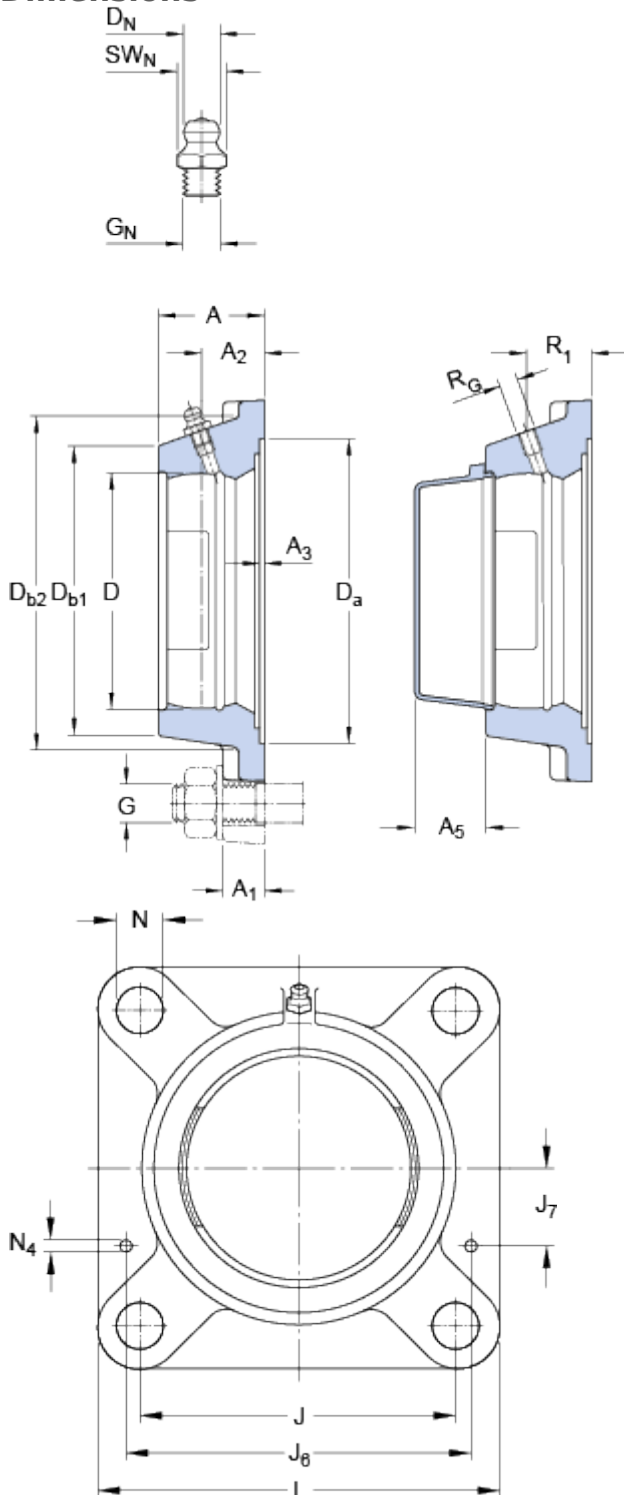


FY 507 M

Material

Cast iron

Dimensions



D		72	mm
D_a	H11	106.4	mm
D_{b1}		87	mm
D_{b2}		95	mm
A		34.5	mm
A_1		13	mm
A_2		21	mm
A_3	H14	3.2	mm
A_5		22	mm
J		92	mm
L		118	mm
N		14	mm

Threaded hole

R_G 1/4-28 UNF

R_1 22.5 mm

Grease fitting

D_N 6.5 mm

SW_N 7 mm

G_N 1/4-28 SAE-LT

Dowel pins

J_6 106 mm

J_7 29 mm

N_4 4 mm

Mass

Mass housing 0.87 kg

Mounting information

Recommended diameter for attachment bolts, mm G 12 mm

Recommended diameter for attachment bolts, inch G 0.5 in

Appropriate products

End cover

ECY 207

