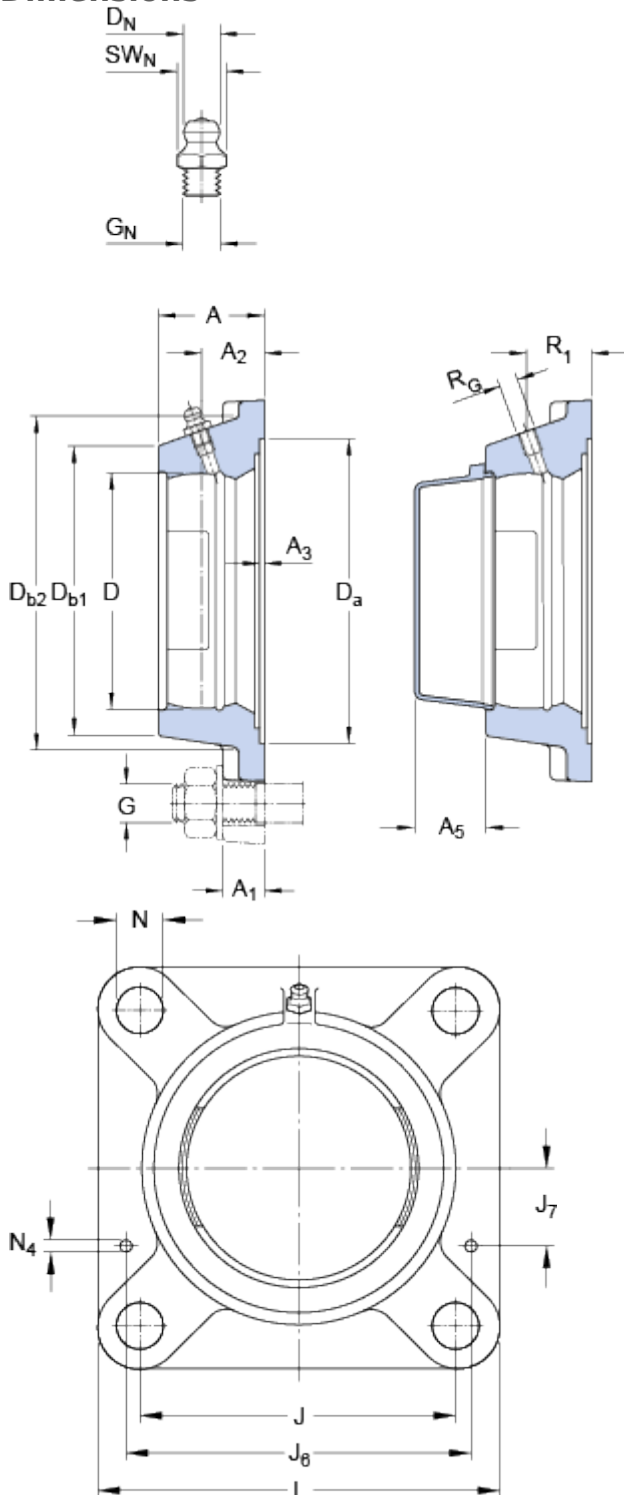


# FY 506 M

Material

Cast iron

## Dimensions



|                 |     |      |    |
|-----------------|-----|------|----|
| D               |     | 62   | mm |
| D <sub>a</sub>  | H11 | 93.7 | mm |
| D <sub>b1</sub> |     | 76   | mm |
| D <sub>b2</sub> |     | 84   | mm |
| A               |     | 32.5 | mm |
| A <sub>1</sub>  |     | 13   | mm |
| A <sub>2</sub>  |     | 20   | mm |
| A <sub>3</sub>  | H14 | 3.2  | mm |
| A <sub>5</sub>  |     | 20   | mm |
| J               |     | 82.5 | mm |
| L               |     | 108  | mm |
| N               |     | 11.5 | mm |

### Threaded hole

R<sub>G</sub> 1/4-28 UNF

R<sub>1</sub> 21 mm

### Grease fitting

D<sub>N</sub> 6.5 mm

SW<sub>N</sub> 7 mm

G<sub>N</sub> 1/4-28 SAE-LT

### Dowel pins

J<sub>6</sub> 96 mm

J<sub>7</sub> 24.5 mm

N<sub>4</sub> 4 mm

## Mass

Mass housing 0.73 kg

## Mounting information

Recommended diameter for attachment bolts, mm G 10 mm

Recommended diameter for attachment bolts, inch G 0.375 in

## Appropriate products

End cover

ECY 206

