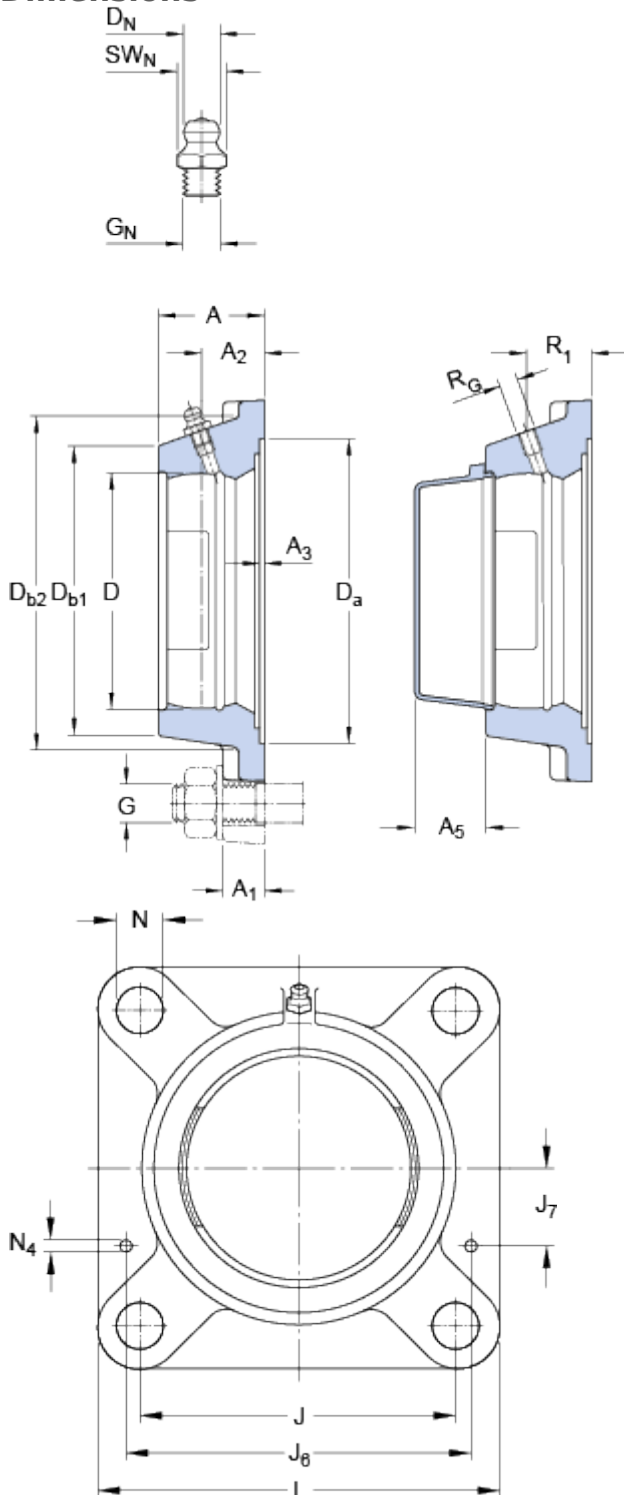


FY 505 M

Material

Cast iron

Dimensions



D		52	mm
D _a	H11	74.6	mm
D _{b1}		65	mm
D _{b2}		71	mm
A		30	mm
A ₁		12	mm
A ₂		19	mm
A ₃	H14	3.2	mm
A ₅		18	mm
J		70	mm
L		95	mm
N		11.5	mm

Threaded hole

R_G 1/4-28 UNF

R₁ 21 mm

Grease fitting

D_N 6.5 mm

SW_N 7 mm

G_N 1/4-28 SAE-LT

Dowel pins

J₆ 83 mm

J₇ 19 mm

N₄ 4 mm

Mass

Mass housing 0.52 kg

Mounting information

Recommended diameter for attachment bolts, mm G 10 mm

Recommended diameter for attachment bolts, inch G 0.375 in

Appropriate products

End cover

[ECY 205](#)

