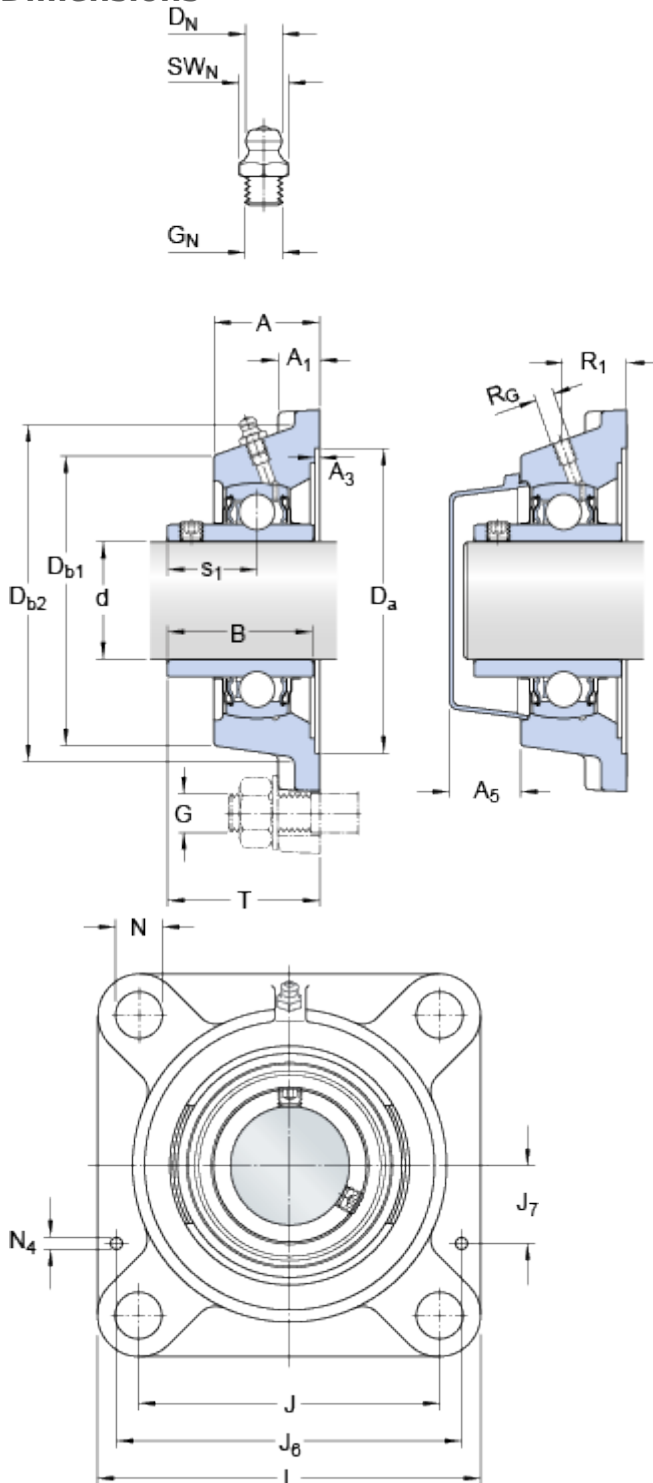


FY 45 TF

Housing material

Cast iron

Dimensions



d		45	mm
Da	H11	119.1	mm
Db1		102	mm
Db2		112	mm
A		39	mm
A1		14	mm
A3	H14	3.2	mm
A5		23	mm
B		49.2	mm
J		105	mm
L		137	mm
N		16	mm
s1		30.2	mm
T		54.2	mm

Threaded hole

R_G 1/4-28 UNF

R_1 24.5 mm

Grease fitting

D_N 6.5 mm

SW_N 7 mm

G_N 1/4-28 SAE-LT

Dowel pins

J_6 123 mm

J_7 33.5 mm

N_4 4 mm

Calculation data

Basic dynamic load rating	C	33.2	kN
Basic static load rating	C	21.6	kN
Fatigue load limit	P_u	0.915	kN
Limiting speed		4300	r/min
(with shaft tolerance h6)			

Mass

Mass bearing unit	1.9	kg
-------------------	-----	----

Mounting information

Thread grub screw	G ₂	M8x1	
Hexagonal key size for grub screw	N	4	mm
Recommended tightening torque for grub screw		6.5	N·m
Recommended diameter for attachment bolts, mm	G	14	mm
Recommended diameter for attachment bolts, inch	G	0.5625	in

Included products

Housing	FY 509 M
Bearing	YAR 209-2F

Associated products

End cover	ECY 209
-----------	-------------------------