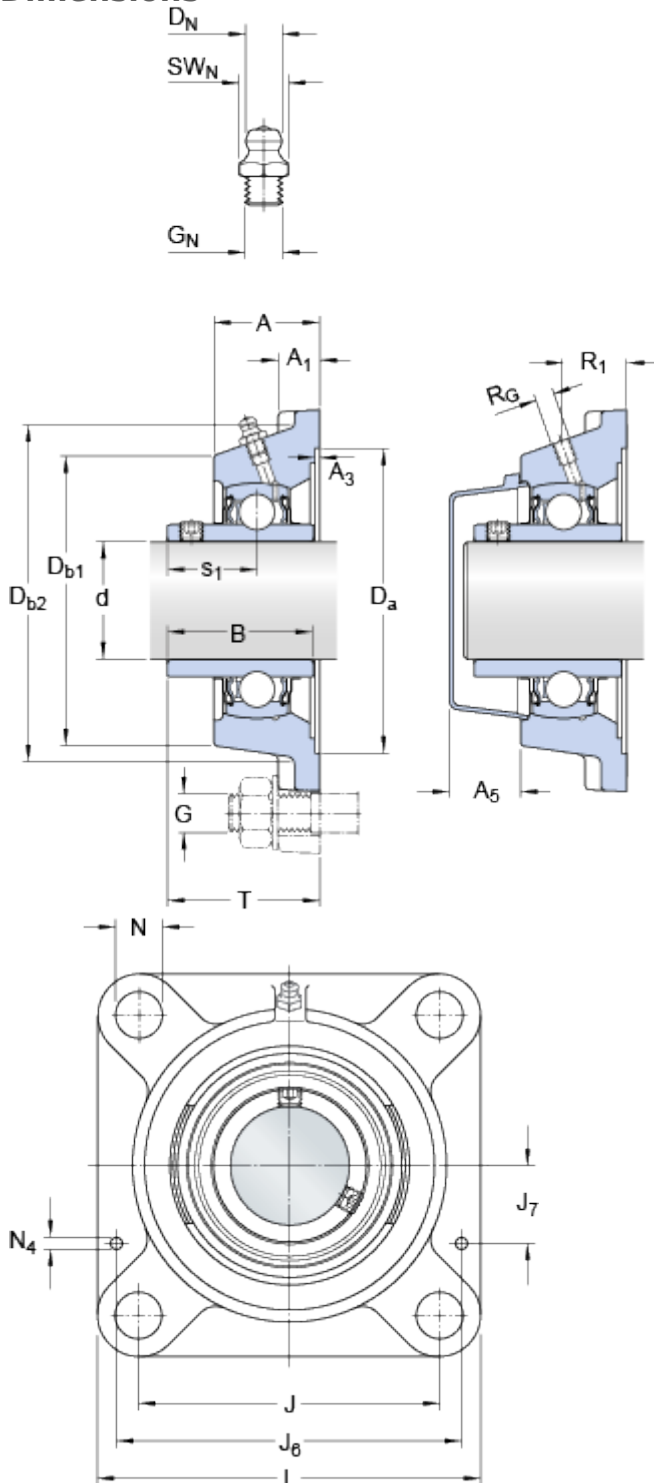


FY 35 TF

Housing material

Cast iron

Dimensions



d	35	mm
Da	H11 106.4	mm
Db1	87	mm
Db2	95	mm
A	34.5	mm
A1	13	mm
A3	H14 3.2	mm
A5	22	mm
B	42.9	mm
J	92	mm
L	118	mm
N	14	mm
s1	25.4	mm
T	46.4	mm

Threaded hole

R_G 1/4-28 UNF

R_1 22.5 mm

Grease fitting

D_N 6.5 mm

SW_N 7 mm

G_N 1/4-28 SAE-LT

Dowel pins

J_6 106 mm

J_7 29 mm

N_4 4 mm

Calculation data

Basic dynamic load rating	C	25.5	kN
Basic static load rating	C	15.3	kN
Fatigue load limit	P_u	0.655	kN
Limiting speed		5300	r/min
(with shaft tolerance h6)			

Mass

Mass bearing unit	1.3	kg
-------------------	-----	----

Mounting information

Thread grub screw	G ₂	M6x0.75
Hexagonal key size for grub screw	N	3 mm
Recommended tightening torque for grub screw		4 N·m
Recommended diameter for attachment bolts, mm	G	12 mm
Recommended diameter for attachment bolts, inch	G	0.5 in

Included products

Housing	FY 507 M
Bearing	YAR 207-2F

Assosiated products

End cover	ECY 207
-----------	-------------------------