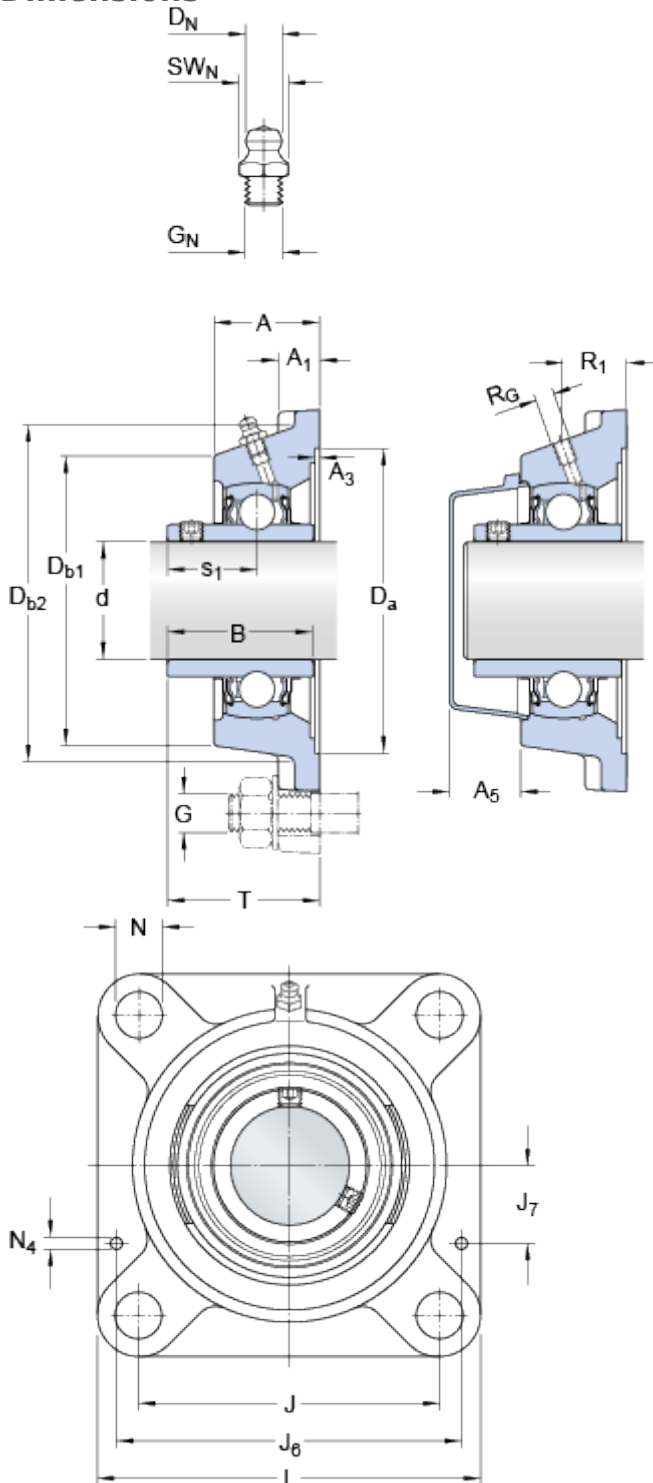


FY 20 TF

Housing material

Cast iron

Dimensions



d	20	mm
D _a	H11	68.3
D _{b1}	57	mm
D _{b2}	63	mm
A	29.5	mm
A ₁	11	mm
A ₃	H14	3.2
A ₅	18.5	mm
B	31	mm
J	63.5	mm
L	86	mm
N	11.5	mm
s ₁	18.3	mm
T	37.3	mm

Threaded hole

R_G 1/4-28 UNF

R₁ 20.5 mm

Grease fitting

D_N 6.5 mm

SW_N 7 mm

G_N 1/4-28 SAE-LT

Dowel pins

J₆ 74 mm

J₇ 16 mm

N₄ 4 mm

Calculation data

Basic dynamic load rating

C 12.7 kN

Basic static load rating

C 6.55 kN

Fatigue load limit

P_u 0.28 kN

Limiting speed

8500 r/min

(with shaft tolerance h6)

Mass

Mass bearing unit	0.52	kg
-------------------	------	----

Mounting information

Thread grub screw	G ₂	M6x0.75
Hexagonal key size for grub screw	N	3 mm
Recommended tightening torque for grub screw		4 N·m
Recommended diameter for attachment bolts, mm	G	10 mm
Recommended diameter for attachment bolts, inch	G	0.375 in

Included products

Housing	FY 504 M
Bearing	YAR 204-2F

Associated products

End cover	ECY 204
-----------	-------------------------