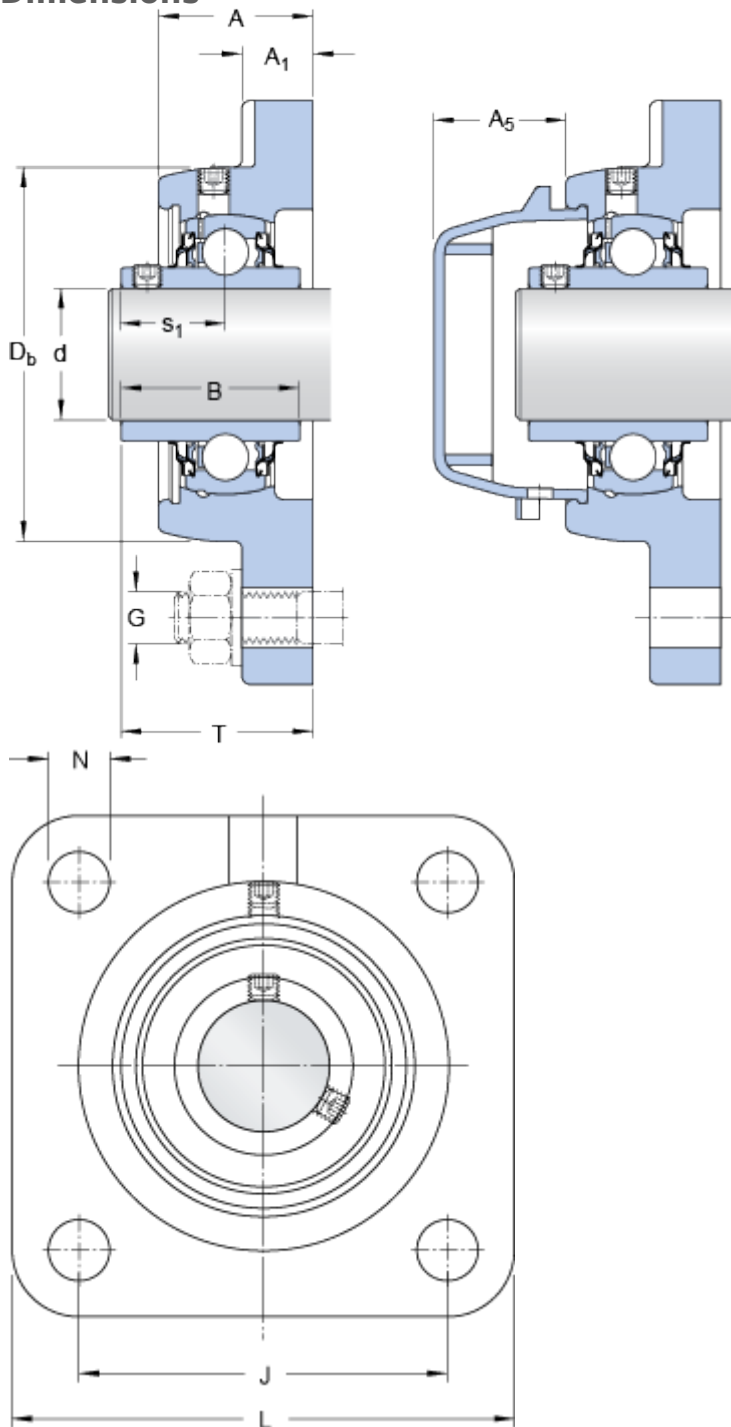


FYWR 20 YTHR

Housing material

Stainless steel

Dimensions



d	20	mm
D _{b1}	55.4	mm
D _{b2}	59.7	mm
A	25.8	mm
A ₁	11.1	mm
A ₅	25.3	mm
B	31	mm
J	63.5	mm
L	85.7	mm
N	11.1	mm
s ₁	18.3	mm
T	32.6	mm

Threaded hole

R _G	1/4-28 UNF	
R ₁	15.7	mm

Calculation data

Basic dynamic load rating	C	10.8	kN
Basic static load rating	C	6.55	kN
Fatigue load limit	P _u	0.28	kN
Limiting speed		5000	r/min
(with shaft tolerance h6)			

Mass

Mass bearing unit		0.68	kg
-------------------	--	------	----

Mounting information

Thread grub screw	G ₂	M6x0.75	
Hexagonal key size for grub screw	N	3	mm
Recommended tightening torque for grub screw		4	N·m
Recommended diameter for attachment bolts, mm	G	10	mm
Recommended diameter for attachment bolts, inch	G	0.375	in

Included products

Housing	FYWR 504 Y
Bearing	YAR 204-2RFGR/HV

Associated products

End cover	ECW 204
-----------	-------------------------