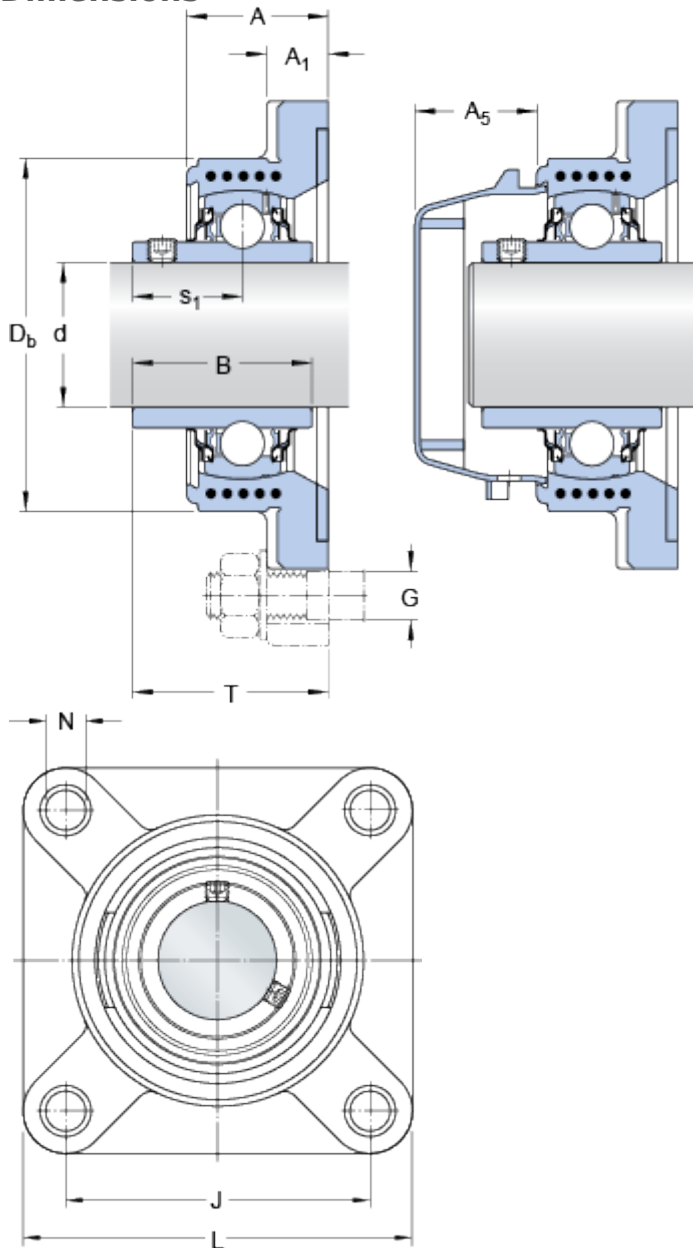


# FYWK 30 YTA

Housing material

Composite for food and beverage

## Dimensions



d	30	mm
$D_b$	78	mm
A	33	mm
$A_1$	15.3	mm
$A_5$	30.5	mm
B	38.1	mm
J	82.5	mm
L	108	mm
N	12.3	mm
$s_1$	22.2	mm
T	42.2	mm

## Calculation data

Basic dynamic load rating	C	19.5	kN
Basic static load rating	C	11.2	kN
Fatigue load limit	$P_u$	0.475	kN
Limiting speed		3800	r/min

(with shaft tolerance h6)

## Mass

Mass bearing unit		0.54	kg
-------------------	--	------	----

## Mounting information

Thread grub screw	$G_2$	M6x0.75	
Hexagonal key size for grub screw	N	3	mm

Recommended tightening torque for grub screw		4	N·m
Recommended diameter for attachment bolts, mm	G	10	mm
Recommended diameter for attachment bolts, inch	G	0.375	in

### Included products

---

Housing	<a href="#">FYWK 506 Y</a>
Bearing	<a href="#">YAR 206-2RF/VE495</a>

### Assosiated products

---

End cover	<a href="#">ECW 206</a>
-----------	-------------------------