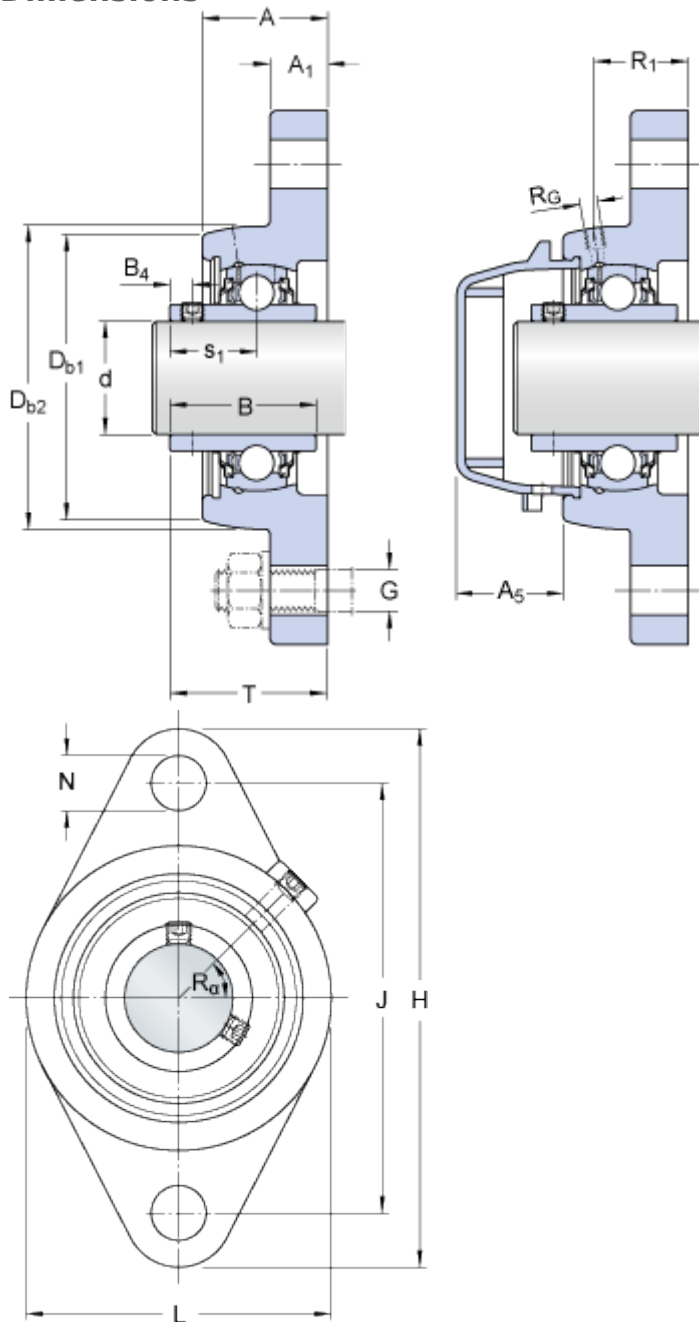


FYTWR 30 YTHR

Housing material

Stainless steel

Dimensions



d	30	mm
D_{b1}	74.1	mm
D_{b2}	79.4	mm
A	34.1	mm
A_1	13.5	mm
A_5	30	mm
B	38.1	mm
B_4	5	mm
J	116.7	mm
H	141.3	mm
L	79.4	mm
N	12.7	mm
s_1	22.2	mm
T	42	mm

Threaded hole

R_G	1/4-28 UNF	
R_1	22.7	mm
R_α	45	°

Calculation data

Basic dynamic load rating	C	16.3	kN
Basic static load rating	C	11.2	kN
Fatigue load limit	P_u	0.475	kN
Limiting speed		3800	r/min
(with shaft tolerance h6)			

Mass

Mass bearing unit		0.96	kg
-------------------	--	------	----

Mounting information

Thread grub screw	G ₂	M6x0.75	
Hexagonal key size for grub screw	N	3	mm
Recommended tightening torque for grub screw		4	N·m
Recommended diameter for attachment bolts, mm	G	10	mm
Recommended diameter for attachment bolts, inch	G	0.4375	in

Included products

Housing	FYTWR 506 Y
Bearing	YAR 206-2RFGR/HV

Assosiated products

End cover	ECW 206
-----------	-------------------------