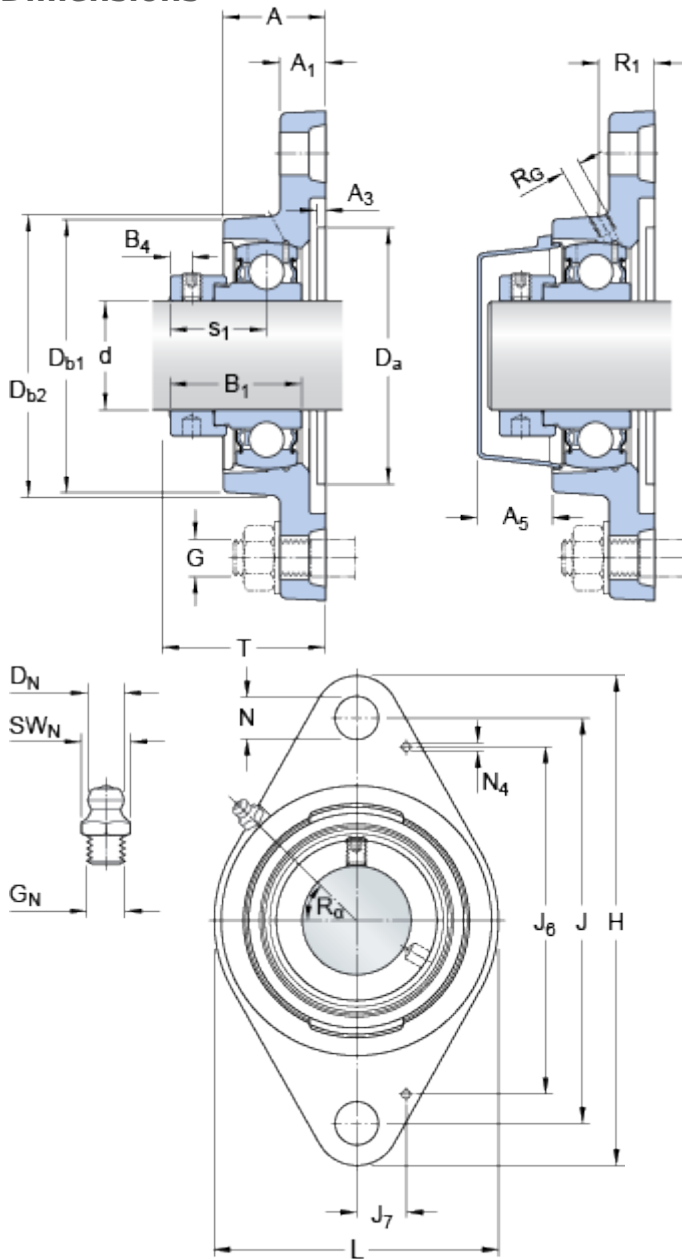


FYTB 30 FM

Housing material

Cast iron

Dimensions



d	30	mm
D _a	H11 76.2	mm
D _{b1}	77	mm
D _{b2}	83	mm
A	32.5	mm
A ₁	13	mm
A ₃	H14 3.2	mm
A ₅	20	mm
B ₁	35.7	mm
B ₄	5.95	mm
J	116.5	mm
H	141.5	mm
L	83	mm
N	11.5	mm
s ₁	26.7	mm
T	46.7	mm

Threaded hole

R _G	1/4-28 UNF
R ₁	21 mm
R _α	45 °

Grease fitting

D _N	6.5 mm
SW _N	7 mm
G _N	1/4-28 SAE-LT

Dowel pins

J ₆	98.5 mm
J ₇	12.5 mm
N ₄	2 mm

Calculation data

Basic dynamic load rating	C	19.5	kN
Basic static load rating	C	11.2	kN
Fatigue load limit	P _u	0.475	kN

Limiting speed	6300	r/min
(with shaft tolerance h6)		

Mass

Mass bearing unit	0.86	kg
-------------------	------	----

Mounting information

Thread grub screw	G ₂	M8x1
Hexagonal key size for grub screw	N	4 mm
Recommended tightening torque for grub screw		6.5 N·m
Recommended diameter for attachment bolts, mm	G	10 mm
Recommended diameter for attachment bolts, inch	G	0.375 in

Included products

Housing	FYTB 506 M
Bearing	YET 206

Associated products

End cover	ECY 206
-----------	-------------------------