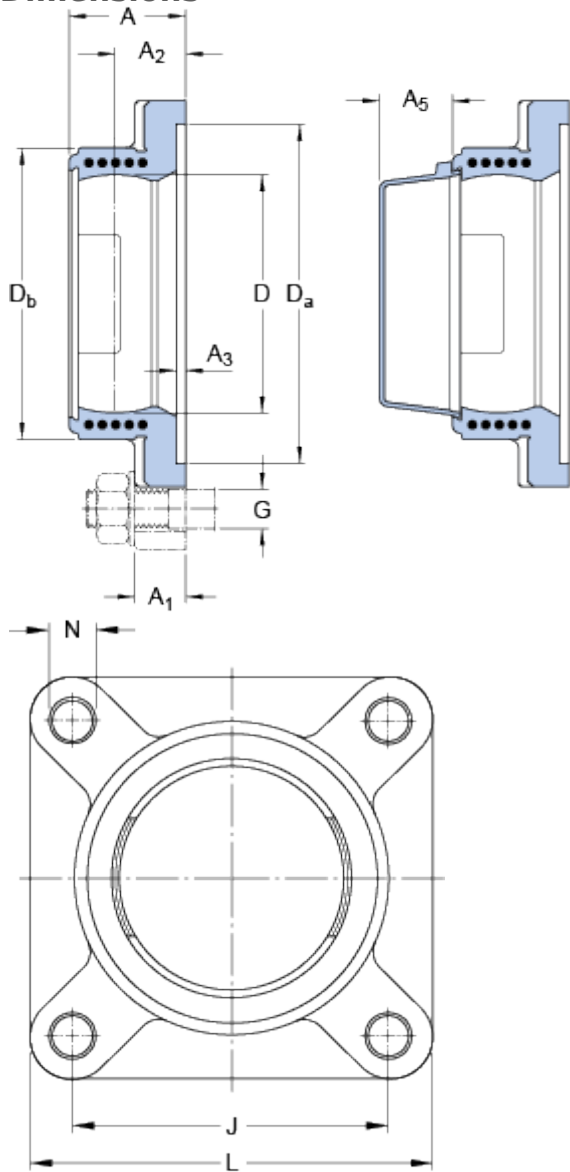


FYK 507

Dimensions



D		72	mm
D _a	H11	106.4	mm
D _b		90	mm
A		35	mm
A ₁		17	mm
A ₂		21	mm
A ₃	H14	3.2	mm
A ₅		22	mm
J		92	mm
L		118	mm
N		14.8	mm

Mass

Mass housing	0.24	kg
--------------	------	----

Mounting information

Recommended diameter for attachment bolts, mm	G	12	mm
Recommended diameter for attachment bolts, inch	G	0.5	in

Appropriate products

End cover	ECY 207
-----------	-------------------------