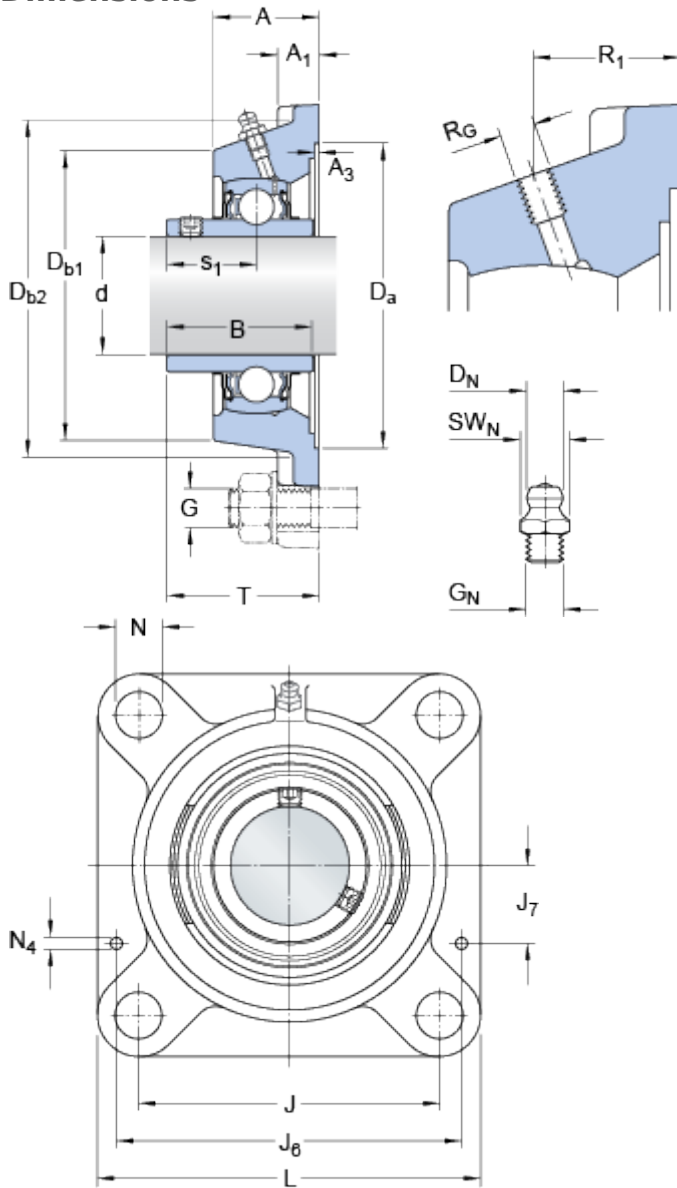


# FYJ 70 TF

Housing material

Cast iron

## Dimensions



d	70	mm
D <sub>a</sub>	H11 161.9	mm
D <sub>b1</sub>	149	mm
D <sub>b2</sub>	163	mm
A	50.5	mm
A <sub>1</sub>	21	mm
A <sub>3</sub>	H14 3.2	mm
B	69.9	mm
J	152	mm
L	193	mm
N	19	mm
s <sub>1</sub>	39.7	mm
T	70.7	mm

### Threaded hole

R <sub>G</sub>	1/4-28 UNF
R <sub>1</sub>	32 mm

### Grease fitting

D <sub>N</sub>	6.5 mm
SW <sub>N</sub>	7 mm
G <sub>N</sub>	1/4-28 SAE-LT

### Dowel pins

J <sub>6</sub>	169 mm
J <sub>7</sub>	49 mm
N <sub>4</sub>	4 mm

## Calculation data

Basic dynamic load rating	C	62.4	kN
Basic static load rating	C	45	kN
Fatigue load limit	P <sub>u</sub>	1.86	kN
Limiting speed (with shaft tolerance h6)		2800	r/min

## Mass

Mass bearing unit		5.6	kg
-------------------	--	-----	----

## Mounting information

---

Thread grub screw	G <sub>2</sub>	M10x1	
Hexagonal key size for grub screw	N	5	mm
Recommended tightening torque for grub screw		16.5	N·m
Recommended diameter for attachment bolts, mm	G	16	mm
Recommended diameter for attachment bolts, inch	G	0.625	in

## Included products

---

Housing	<a href="#">FYJ 514</a>
Bearing	<a href="#">YAR 214-2F</a>