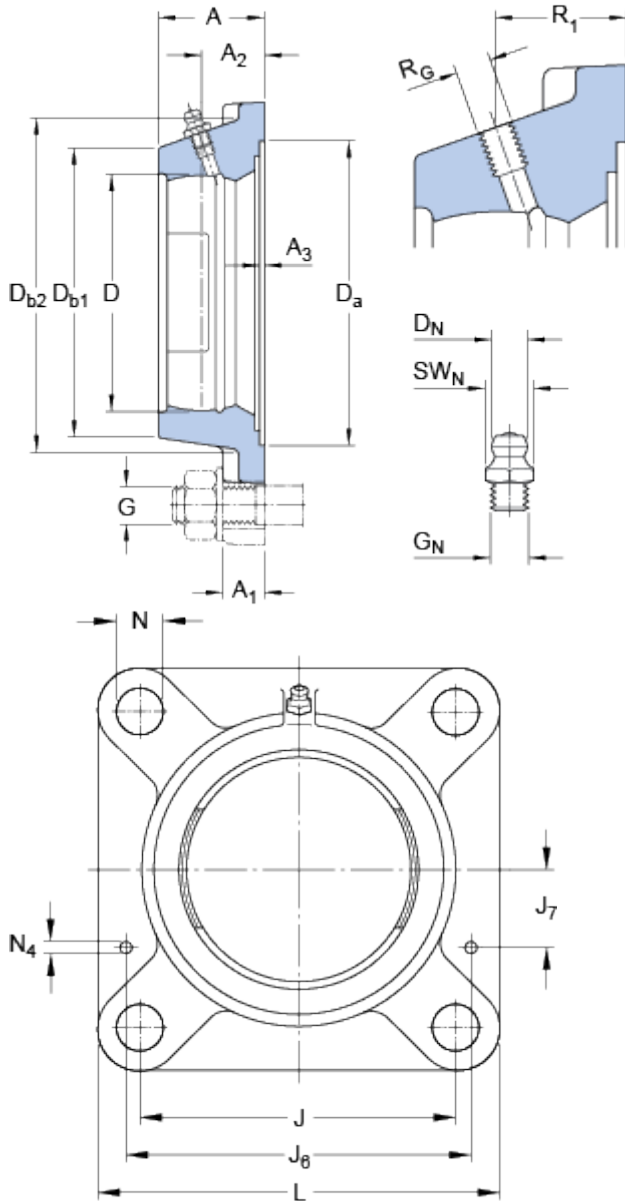


FYJ 518

Dimensions



| | | | |
|-----------------|-----|-------|----|
| D | | 160 | mm |
| D _a | H11 | 193.7 | mm |
| D _{b1} | | 187 | mm |
| D _{b2} | | 201 | mm |
| A | | 63.5 | mm |
| A ₁ | | 23 | mm |
| A ₂ | | 40 | mm |
| A ₃ | H14 | 3.2 | mm |
| J | | 187 | mm |
| L | | 235 | mm |
| N | | 23 | mm |

Threaded hole

| | | | |
|----------------|--|------------|----|
| R _G | | 1/4-28 UNF | |
| R ₁ | | 40 | mm |

Grease fitting

| | | | |
|-----------------|--|---------------|----|
| D _N | | 6.5 | mm |
| SW _N | | 7 | mm |
| G _N | | 1/4-28 SAE-LT | |

Dowel pins

| | | | |
|----------------|--|------|----|
| J ₆ | | 207 | mm |
| J ₇ | | 52.5 | mm |
| N ₄ | | 4 | mm |

Mass

| | | | |
|--------------|--|-----|----|
| Mass housing | | 6.5 | kg |
|--------------|--|-----|----|

Mounting information

| | | | |
|---|---|------|----|
| Recommended diameter for attachment bolts, mm | G | 20 | mm |
| Recommended diameter for attachment bolts, inch | G | 0.75 | in |