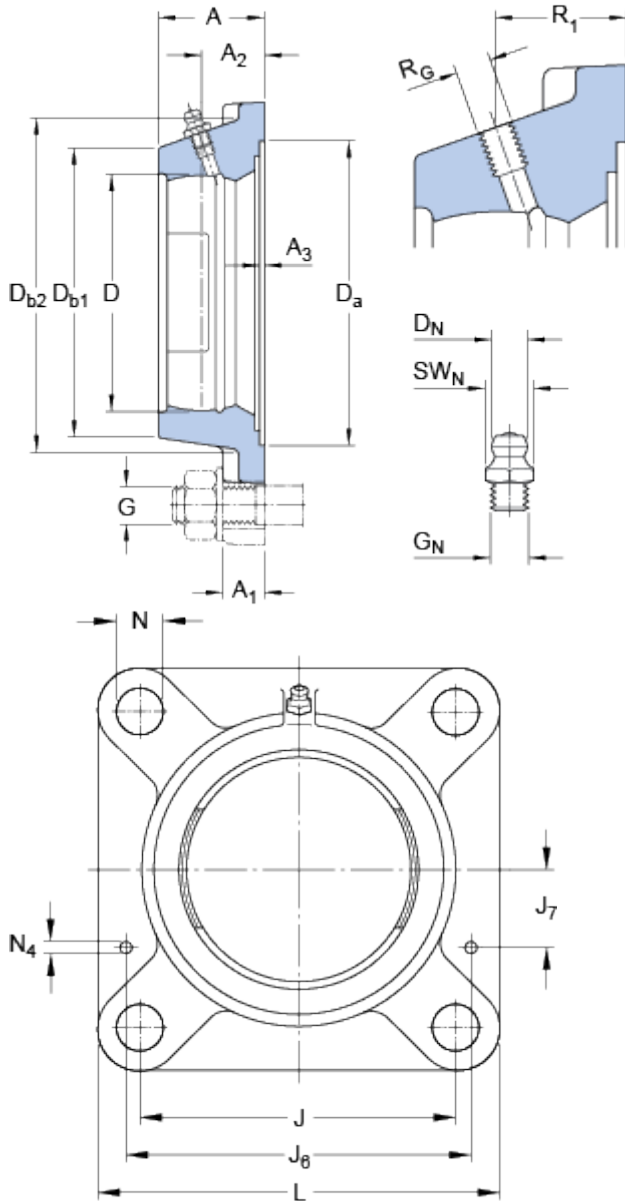


FYJ 516

Dimensions



D		140	mm
D _a	H11	179.4	mm
D _{b1}		162	mm
D _{b2}		171	mm
A		54.5	mm
A ₁		22	mm
A ₂		34	mm
A ₃	H14	3.2	mm
J		165	mm
L		208	mm
N		23	mm

Threaded hole

R _G		1/4-28 UNF	
R ₁		34.5	mm

Grease fitting

D _N		6.5	mm
SW _N		7	mm
G _N		1/4-28 SAE-LT	

Dowel pins

J ₆		184	mm
J ₇		51.5	mm
N ₄		4	mm

Mass

Mass housing	4.15	kg
--------------	------	----

Mounting information

Recommended diameter for attachment bolts, mm	G	20	mm
Recommended diameter for attachment bolts, inch	G	0.75	in