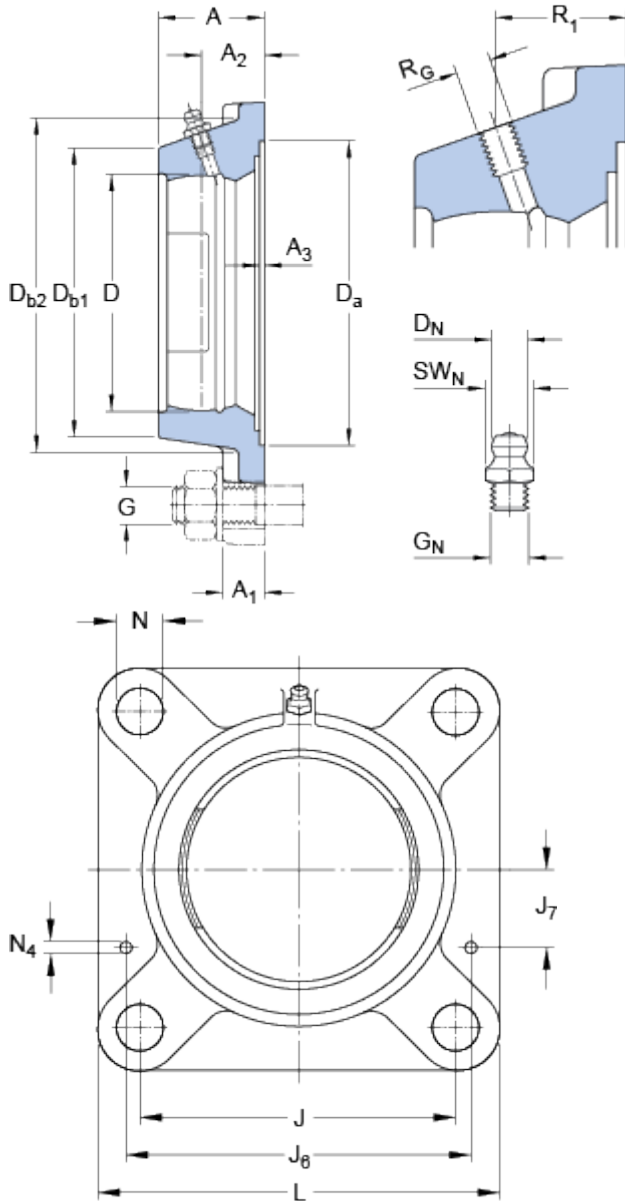


FYJ 514

Dimensions



D		125	mm
D _a	H11	161.9	mm
D _{b1}		149	mm
D _{b2}		163	mm
A		50.5	mm
A ₁		21	mm
A ₂		31	mm
A ₃	H14	3.2	mm
J		152	mm
L		193	mm
N		19	mm

Threaded hole

R _G		1/4-28 UNF	
R ₁		32	mm

Grease fitting

D _N		6.5	mm
SW _N		7	mm
G _N		1/4-28 SAE-LT	

Dowel pins

J ₆		169	mm
J ₇		49	mm
N ₄		4	mm

Mass

Mass housing		3.7	kg
--------------	--	-----	----

Mounting information

Recommended diameter for attachment bolts, mm	G	16	mm
Recommended diameter for attachment bolts, inch	G	0.625	in